



HAITWIN-DELPHIN Technologie GmbH



KVM-CONSOLES & SUPPLY CATALOGUE

2017

Haitwin-Delphin Technologie GmbH
Kieselstraße 15
D-41472 Neuss

Tel: +49 (0) 2131 / 88082-0
Fax: +49 (0) 2131 / 88082-10

Mail: info@haitwin.de
Web : www.haitwin.de

KB-117E

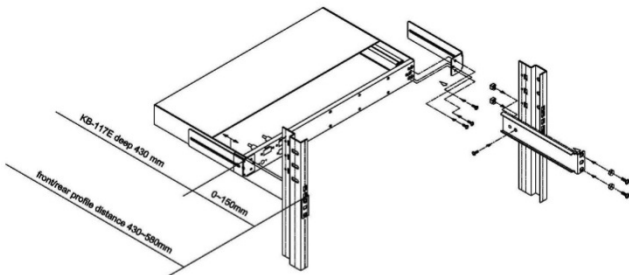


- 17" LCD Monitor with LED Backlight
- Easy one man Installation
- Depth : 430mm only

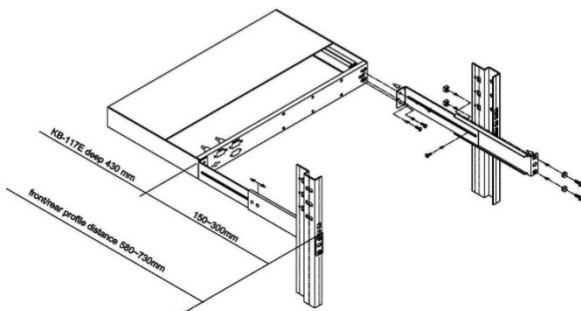


KB-117E is a 17" Monitor, Keyboard-Drawer with LED Backlight. Die particularly short depth of only 430mm allows the installation even in 600 mm cabinets, value keyboard with number block and touchpad complete the external design and make it an allrounder device. The casing conforms the 1U Standard, easily installed and mountable with the included mounting kit.

For Rack Deep 600-800 mm



For Rack Deep 800-1000 mm



Specifications :

- Practical DB-15 connector, combined with our cable KAB-102-4 (1 x VGA 1 x USB and 2 x PS/2)
- compatible with the most PS/2-KVM and USB-KVM-Switches
- Support friendly external power supply
- Support DOS, Windows 95/98/SE/2000/XP/Vista/Server 2003/Server 2008 und Windows 7 / 9, Linux, MacOS, etc.
- Perfect keyboard / mouse emulation for safe function on all computers and operating systems

Properties :

- 1U 17" LCD console, 430 mm deep
- Stepless, adjustable angle from 0 to 105° over high quality and unique torque hinges
- Easy one man assembly with the provided angles
- Chromed metal handle
- Adjustable depth from 430 mm up to 730 mm tread depth
- Practical knurled screws
- High graphic resolution, up to 1280 x 1024 with 60Hz DDC, DDC2 and DDC2B

Keyboard versions :

Available in following versions : German (DE), US-English (US), French (FR), Spanish (SP), Italian (IT), und Russian (RU).

Versions available on request : UK-English (UK), Danisch (DK), Swiss (CH), Thai (TH), Turkish (TK), Japanese (JP), Chinese (CI), Belgian (BE), norwegian (NO), portuguese (PT), french/kanadian (CA) and Israeli /Hebrew (IS), Swedish Finnish (SW),

Trackball version is possible in combination with a Cherry G84-4400_Trackball keyboard

Technical data:

Connections	Graphic / Keyboard / Mouse	1 x HDDB-15
	Power supply	1 x DC-12V
Connection cable (included)	PS/2 / USB / VGA Combo	KAB-102-4(1,8m)
Optional connection cable	PS/2 / USB / VGA Combo	KAB-103-4 (3 m), KAB-105-4 (5m)
Switch	LCD settings	4 Pressure switch
	ON / OFF	1 Pressure switch
	OFF (LCD folded)	1 Semi-covert pressure switch
LED-Display panel	Operation	1 x green
	Number	1 x green
	Capital letters	1 x green
	Scroll	1 x green
Emulation	Keyboard/ Mouse	USB and PS/2
	Display	Yes
Graphic	17" LCD	1280 x 1024
	Colors	16,2 Mio.
	Frame Rate	H: 31,0 KHz. – 81,0 KHz. V: 56,0 KHz. – 76,0 KHz.
	Viewing angle	H: 140° / V: 130°
	Bandwith	140 Mhz.
	Brightness	300 cd/m ²
	Contrast	700 : 1
	Reaktion time	4 ms.
	Pixel pitch	0,264mm (H) x 0,264mm (V)
	Backlight	LED
Input values	100 V. – 240 V. AC, 48 Hz – 62 Hz	
Output values	DC 12V., 4,16A	
Power consumption	230 V / 18,8 Watt	
Certification	RoHS, RoHS2, CE	
Environment	Operating temperature	0 – 40°C
	Storage temperature	-20 – 60°C
	Humidity	0 – 80% relative humidity (non condensing)
Physical properties	Casing	High performance steel
	Color	RAL 9005
	Weight	10,9 kg incl. angles
	Dimension (L x W x H) without handle	43,00 x 43,6 x 4,4cm (19" / 1U)
	Dimension (L x W x H) with handle	43,60 x 43,6 x 4,4cm (19" / 1U)
Packaging	Weight	17,1 kg
	Dimension (L x W x H)	77,5 x 58 x 21 cm

Korat-1701

- 17" LCD Monitor with LED Backlight
- Dual telescopic rails
- Depth 590mm only



Korat-1701 is a 17" Monitor, Keyboard-Drawer with LED Backlight. a value keyboard with number block and touchpad complete the external design. The casing conforms the 1U Standard, easily installed and mountable with the included mounting kit. The integrated telescopic dual-rail ensures the separate pull of keyboard and monitor.



Properties:

- 1U 17" LCD console , 590mm deep
- Stepless,adjustable angle from 0 to 105° over high quality and unique torque hinges
- Easy one man assembly with the provided angles
- Adjustable depth from 590 mm up to 970 mm tread depth
- Chromed metal handle
- Practical knurled screws
- High graphic resolution, up to 1280 x 1024 with 60Hz DDC, DDC2 und DDC2B

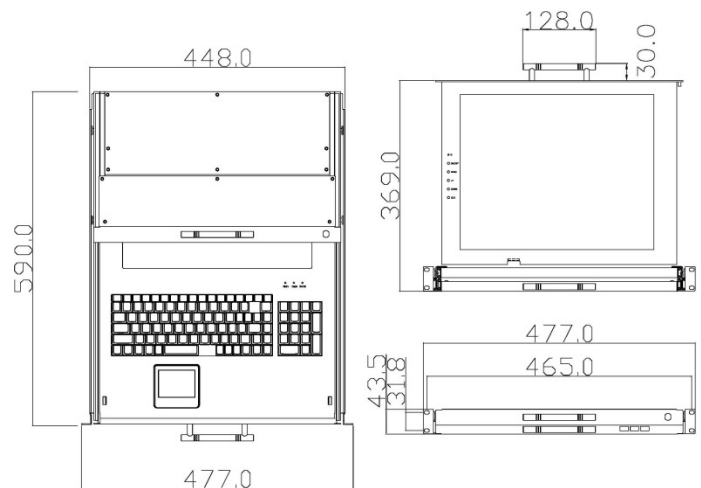
Keyboard versions:

Available in following versions : German (DE), US-English (US), French (FR), Spanish (SP), Italian (IT), und Russian (RU).

Versions available on request : UK-English (UK), Danisch (DK), Swiss(CH), Thai (TH), Turkish (TK), Japanese(JP), Chinese (CI), Belgian (BE), norwegian (NO), portuguese (PT), french/kanadian (CA) and Israeli /Hebrew (IS) ,Swedish Finnish (SW) ,

Specifications:

- Practical DB-15 connector, in conjunction with our cable KAB-102-4 (1 x VGA 1 x USB and 2 x PS/2)
- Compatible with most PS / 2 KVM switches and also with USB KVM switches
- Support friendly external power supply
- Dual telescopic rails
- Support DOS, Windows 95/98/SE/2000/XP/Vista/Server 2003/Server 2008 and Windows 7 / 9, Linux, MacOS, etc.
- Perfect keyboard / mouse emulation for safe function on all computers and operating systems



Technical data:

Connections KVM	Graphic / Keyboard / Mouse	1 x HDDB-15
	External HUB	1 x USB (2.0) Type-A
	External (Front-HUB)	3 x USB (2.0) Type-A
	Power supply	1 x DC-12V
Connection cable (included)	PS2 / USB / VGA Combo	KAB-102-4 (1,8m)
Optional Connection cable	PS/2 / USB / VGA Combo	KAB-103-4 (3,0m), KAB-105-4 (5,0m)
Switch	LCD settings	4 Pressure switch
	ON / OFF	1 Pressure switch
	OFF (LCD folded)	1 Semi-covert pressure switch
LED-Display panel	Operation	1 x green
	Number	1 x green
	Capital letters	1 x green
	Scroll	1 x green
Emulation	Keyboard/ Mouse	USB & PS/2
	Display	Yes
Graphic	17" LCD	1280 x 1024
	Colors	16,2 Mio.
	Frame Rate	H: 31,0 KHz. – 81,0 KHz. V: 56,0 KHz. – 76,0 KHz.
	Viewing angle	H: 140° / V: 130°
	Bandwith	140 Mhz.
	Brightness	300 cd/m ²
	Contrast	700 : 1
	Reaktion time	4 ms.
	Pixel pitch	0,264mm (H) x 0,264mm (V)
	Backlight	LED
Input values	100 V. – 240 V. AC, 48 Hz – 62 Hz	
Output values	DC 12V., 4,16A	
Power consumption	230 V / 14,6 Watt	
Certification	RoHS, RoHS2, CE	
Environment	Operating temperature	0 – 40°C
	Storage temperature	-20 – 60°C
	Humidity	0 – 80% relative humidity (non condensing)
Physical properties	Casing	High performance steel
	Color	RAL 9005
	Weight	12,9 kg incl. angles
	Dimension (L x W x H) without handle	62,00 x 43,6 x 4,4cm (19" / 1U)
	Dimension (L x W x H) with handle	66,0x 43,6 x 4,4cm (19" / 1U)
Packaging	Weight	17,1 kg
	Dimension (L x W x H)	77,5 x 58 x 21 cm

Korat-1701-DVI



- 17" LCD monitor with LED backlight
- Dual telescopic rail
- DVI und VGA Input
- Depth 590mm only



Korat-1701 –DVI is a 17" Monitor, Keyboard-Drawer with LED Backlight. a value keyboard with number block and touchpad DVI / USB KVM and 3 Front side USB connectors complete the external design. The casing conforms the 1U Standard, easily installed and mountable with the included mounting kit. The integrated elescopic dual-rail ensures the separate pull of keyboard and monitor
DVI and VGA inputs make this device a true allrounder



Properties:

- 1U 17" LCD console , 590mm deep
- Stepless,adjustable angle from 0 to 105° over high quality and unique torque hinges
- Easy one man assembly with the provided angles
- 3 Front USB 2.0
- Integrated DVI and VGA Input
- Adjustable depth from 590 mm up to 930 mm tread depth
- Chromed metal handle
- Practical knurled screws
- High graphic resolution, up to 1280 x 1024 with 60Hz DDC, DDC2 und DDC2B

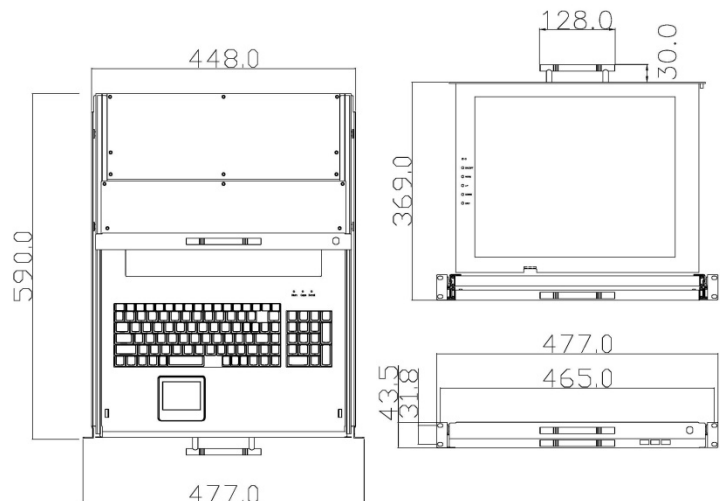
Specifications:

- DVI-I und VGA Input, USB for Keyboard & Touchpad
- Compatible with most PS / 2 KVM switches and also with USB KVM switches
- Integrated 3 Port-front USB2.0 device-Hub for shared use of USB2.0 and USB1.1 terminal device (another Mouse, Scanner, Printer, Cameras, USB-Storage medium, ...) to all PCs
- Support friendly external power supply
- Dual telescopic rails
- Support DOS, Windows 95/98/SE/2000/XP/Vista/Server 2003/Server 2008 und Windows 7 / 9, Linux, MacOS, etc.
- Perfect keyboard / mouse emulation for safe function on all computers and operating systems

Keyboard versions:

Available in following versions : German (DE), US-English (US), French (FR), Spanish (SP), Italian (IT), und Russian (RU).

Versions available on request : UK-English (UK), Danisch (DK), Swiss(CH), Thai (TH), Turkish (TK), Japanese(JP), Chinese (CI), Belgian (BE), norwegian (NO), portuguese (PT), french/kanadian (CA) and Israeli /Hebrew (IS) ,Swedish Finnish (SW) ,



Technical data:

Connections	Graphic	1 x DVI-I
		1 x VGA
	Keyboard / Mouse	2 x USB-A
	External (Hub)	3 x USB 2,0 (Type A)
	Power supply	1 x DC-12V
Connection cable (included in the delivery)	Graphic	1 x DVI-D, 1 x VGA (1,8m)
	Keyboard / Mouse	2 x USB-A zu A (1,8 m)
Switch	LCD settings	4 Pressure switch
	ON / OFF	1 Pressure switch
	OFF (LCD folded)	1 Semi-covert pressure switch
LED-Display panel	Operation	1 x green
	Number	1 x green
	Capital letters	1 x green
	Scroll	1 x green
Emulation	Keyboard/ Mouse	USB & PS/2
	Display	Yes
Graphic	17" LCD	1280 x 1024
	Colors	16,2 Mio.
	Frame Rate	H: 31,0 KHz. – 81,0 KHz. V: 56,0 KHz. – 76,0 KHz.
	Viewing angle	H: 140° / V: 130°
	Bandwith	140 Mhz.
	Brightness	300 cd/m ²
	Contrast	700 : 1
	Reaktion time	4 ms.
	Pixel pitch	0,264mm (H) x 0,264mm (V)
	Backlight	LED
Input values	100 V. – 240 V. AC, 48 Hz – 62 Hz	
Output values	DC 12V., 4,16A	
Power consumption	230 V / 18,8 Watt	
Certification	RoHS, RoHS2, CE	
Environment	Operating temperature	0 – 40°C
	Storage temperature	-20 – 60°C
	Humidity	0 – 80% relative humidity (non condensing)
Physical properties	Casing	High performance steel
	Color	RAL 9005
	Weight	12,9 kg incl. angles
	Dimension (L x W x H) without handle	59,00 x 43,6 x 4,4cm (19" / 1U)
	Dimension (L x W x H) with handle	62 x 43,6 x 4,4cm (19" / 1U)
Packaging	Weight	17,1 kg
	Dimension (L x W x H)	77,5 x 58 x 21 cm

Korat-1708-DVI

- 17" LCD Monitor with LED Backlight
- Dual telescopic rails
- 8 Port DVI / USB KVM
- 3 switchable front USB



Korat-1708 –DVI is a 17" Monitor, Keyboard-Drawer with LED Backlight. a value keyboard with number block and touchpad integrated 8 Port DVI / USB KVM and 3 Front side USB connectors complete the external design. The casing conforms the 1U Standard, easily installed and mountable with the included mounting kit. The integrated telescopic dual-rail ensures the separate pull of keyboard and monitor

Specifications:

- DVI-Graphic Card ensure always a proper resolution even if the background needs to be rebooted
- DDC/EDID-reflection signal with Active Sync Replication (A.S.R) ensures a permanent (all Time) DDC-Emulation places the transmission of the monitor informations to all available Ports ,Allows the use of the original monitor driver of the monitor manufacturer and DVI-"boots" in the background
- Port-choice with the Select-Button or HotKeys (5 alternative keyboard shortcuts)
- Programmable Hotkey feature alternative Hotkey (Scroll, Cap, Esc, F12, Num)
- Integrated 3 Port-front USB2.0 device-Hub for shared use of USB2.0 und USB1.1 terminal device (another Mouse, Scanner, Printer, Cameras, USB-Storage medium, ...) to all PCs
- Independant/Shared change of USB2.0 device , ON/OFF-switchable audible signal
- LED Port/Status-Display with separate 2.0 Hub Display
- OHCI, OHCI USB Interface Support
- Independant or shareable USB2.0 Hub and PC-Port selection
- Permanent Keyboard /Mouse emulation for waiting times after the switch.
- Firmware over USB always up to date
- USB/Keyboard/Mouse emulation upgradable.
- Cascadable for 64 Servers
- Monitor OSD Menu in the following languages adjustable German, English Spanish, Italian , French, Portuguese, Korean, Cyrillic, Japanese, trad. Chinese, mod. Chinese
- Supports all USB suitable operationg systems: for exemple Win98SE / 2000 / 2003... / ME / XP / Vista / Server 2008 /Windows 7, Windows 8 Windows 8.1 and the following versions LINUX, ...
- Compatible with MAC G3/G4, MACmini and iMAC. It works with Mac OS X 10.4.10 (and other systems)

Properties:

- 1U 17" LCD console , 590mm deep
- Stepless,adjustable angle from 0 to 105° over high quality and unique torque hinges
- Easy one man assembly with the provided angles
- 3 Front USB 2.0
- Integrated 8 port DVI/USB KVM
- Adjustable depth from 590 mm up to 930 mm tread depth
- Chromed metal handle
- Practical knurled screws
- High graphic resolution, up to 1280 x 1024 with 60Hz DDC, DDC2 und DDC2B

Keyboard versions:

Available in following versions : German (DE), US-English (US), French (FR), Spanish (SP), Italian (IT), und Russian (RU).

Versions available on request : UK-English (UK), Danisch (DK), Swiss(CH), Thai (TH), Turkish (TK), Japanese(JP), Chinese (CI), Belgian (BE), norwegian (NO), portuguese (PT), french/kanadian (CA) and Israeli /Hebrew (IS) ,Swedish Finnish (SW) ,

Technical data:

Connections	Graphic	8 x DVI-I Socket (use only DVI-D cable)	
	Keyboard / Mouse	8 X USB-Typ-B	
	External (Hub)	3 x USB 2,0 (switchable)	
	Power supply	1 x DC-12V	
Connection cable (not included in the delivery)	USB / DVI-cable	KAB-102DVI (1,8m)	
Switch	LCD settings	4 Pressure switch	
	ON / OFF	1 Pressure switch	
	OFF (LCD folded)	1 Semi-covert pressure switch	
LED-Display panel	Operation	1 x green	
	Number	1 x green	
	Capital letters	1 x green	
	Scroll	1 x green	
LED-Display KVM	Port/Switch	8 x green (Port)	
		8 x red (USB)	
Emulation	Keyboard/ Mouse	Yes (HID with USB1.1	
	Display	Yes(A.S.R.)	
Port selction	Hotkey /Key sequence of keyboard		
Graphic	17" LCD	12800 x 1024	
	Colors	16,2 Mio.	
	Frame Rate	H: 31,0 KHz. – 81,0 KHz. V: 56,0 KHz. – 76,0 KHz.	
	Viewing angle	H: 140° / V: 130°	
	Bandwith	140 Mhz.	
	Brightness	300 cd/m ²	
	Contrast	700 : 1	
	Reaktion time	4 ms.	
	Pixel pitch	0,264mm (H) x 0,264mm (V)	
	Backlight	LED	
	Input values	100 V. – 240 V. AC, 48 Hz – 62 Hz	
	Output values	DC 12V., 4,16A	
Power consumption	230 V / 18,8 Watt		
Certification	RoHS, RoHS2, CE		
Environment	Operating temperature	0 – 40°C	
	Storage temperature	-20 – 60°C	
	Humidity	0 – 80% relative humidity (non condensing)	
Physical properties	Casing	High performance steel	
	Color	RAL 9005	
	Weight	12,9 kg incl. angles	
	Dimension (L x W x H) without handle	59,00 x 43,6 x 4,4cm (19" / 1U)	
	Dimension (L x W x H) with handle	62 x 43,6 x 4,4cm (19" / 1U)	
Packaging	Weight	17,1 kg	
	Dimension (L x W x H)	77,5 x 58 x 21 cm	

Korat-1708TU / Korat-1716TU



- 17" LCD Monitor with LED Backlight
- Dual telescopic rails
- 8 / 16 Port USB / PS/2 KVM
- 3 front USB



Korat-1708TU-IP / Korat-1716TU-IP is a 17" Monitor, Keyboard-Drawer with LED Backlight. a value keyboard with number block and touchpad .integrated 8 /16 Port USB/PS2 KVM and 3 Front USB connector complete the external design. The casing conforms the 1U Standard, easily installed and mountable with the included mounting kit. The integrated telescopic dual-rail ensures the separate pull of keyboard and monitor .

Specifications:

- 8 / 16 Port Tree-chainable Rackmount USB PS/2 KVM-Switch with OSD
- Easy setup and operation via web-Interface.
- DNS and authentication Settings (Local Authentication, LDAP or RADIUS)
- Almost the only KVM switch that reflects the monitor identifiers (DDC / EDID) and provide all ports permanently to the computers ,therefore the computer can be rebooted at any time with a correct and always displayed resolution
- Full-time DDC Support = Monitor-Emulation = each server is the permanent faked "original" to the KVM switch connected display and thus there are no problems with boots in background
- Tree-chainable zum for the next Level untill 8 KVM-TU8 KVM-Switches
- Tree-chaining distance until 5 meter
- Port capacity ist scalable until 64/256 PCs overTree-chaining with TU-Models
- Integrated 3-port USB2.0 hub devices on the console front for sharing USB2.0 and USB1.1 devices (lfor another mouse, scanners, printers, cameras, USB storage devices, ...)
- USB and PS/2 Interface support for both sides- console und PC side
- Computer choice over Push-Buttons, Keyboard-Hotkeys und OSD-Menu
- Support DOS, Windows 95/98/SE/2000/XP/Vista/Server 2003/Server 2008 und Windows 7 / 9, Linux, MacOS, and more
- Numeric LED-Status displays to a clearly display of the port status
- Perfect keyboard / mouse emulation for a safe function on all computers and operating systems
- Pro-Port Controller to keep the function of keyboard and mouse in case of error , if the KVM switch didn't receives a external power
- Advanced PS / 2 mouse reset hotkeys for non-PnP OS , WinNT 4.0 and Linux
- Buzzer sound confirm the hotkey and port circuit (de-activated)
- Autoscan dwell time of 5 ~ 95 seconds for OSD programmable
- Password protection Auto-Logout Timeout-Support
- Firmware/Software upgradable

Properties:

- 1U 17" LCD console , 590 mm deep
- Stepless,adjustable angle from 0 to 105° over high quality and unique torque hinges
- Easy one man assembly with the provided angles
- 3 Front USB
- Integrated 8/16 port USB/PS2/KVM
- Adjustable depth from 590 mm up to 930 mm tread depth
- Chromed metal handle
- Practical knurled screws
- High graphic resolution, up to 1280 x 1024 with 60Hz DDC, DDC2 und DDC2B

Keyboard versions:

Available in following versions : German (DE), US-English (US), French (FR), Spanish (SP), Italian (IT), und Russian (RU).

Versions available on request : UK-English (UK), Danisch (DK), Swiss(CH), Thai (TH), Turkish (TK), Japanese(JP), Chinese (CI), Belgian (BE), norwegian (NO), portuguese (PT), french/kanadian (CA) and Israeli /Hebrew (IS) ,Swedish Finnish (SW) ,

Technical data:

Connections KVM	Graphic / Keyboard / Mouse	8 / 16 HDDB-15
	External (HUB)	3 X USB-Typ-A
	Power supply	1 x DC-12V
Connection cable (not included in the delivery)	USB / PS2/VGA combo	KAB-102-4 (1,8m), KAB-103-4 (3,0m) KAB-105-4(5,0m)
	USB / VGA	KAB-102U-1 (1,8m)
Switch	LCD settings	4 Pressure switch
	ON / OFF	1 Pressure switch
	OFF (LCD folded)	1 Semi-covert pressure switch
LED-Display panel	Operation	1 x green
	Number	1 x green
	Capital letters	1 x green
	Scroll	1 x green
LED-Display KVM	Port/Switch	8 x 16 green (Port) 8 x red (USB)
Emulation	Keyboard/ Mouse	USB & PS/2
	Display	Yes
Graphic	17" LCD	1280 x 1024
	Colors	16,2 Mio.
	Frame Rate	H: 31,0 KHz. – 81,0 KHz. V: 56,0 KHz. – 76,0 KHz.
	Viewing angle	H: 140° / V: 130°
	Bandwith	140 Mhz.
	Brightness	300 cd/m ²
	Contrast	700 : 1
	Reaktion time	4 ms.
	Pixel pitch	0,264mm (H) x 0,264mm (V)
	Backlight	LED
Input values	100 V. – 240 V. AC, 48 Hz – 62 Hz	
Output values	DC 12V., 4,16A	
Power consumption	230 V / 14,6 Watt	
Certification	RoHS, RoHS2, CE	
Environment	Operating temperature	0 – 40°C
	Storage temperature	-20 – 60°C
	Humidity	0 – 80% relative humidity (non condensing)
Physical properties	Casing	High performance steel
	Color	RAL 9005
	Weight	12,9 kg incl. angles
	Dimension (L x W x H) without handle	59,00 x 43,6 x 4,4cm (19" / 1U)
	Dimension (L x W x H) with handle	62,0x 43,6 x 4,4cm (19" / 1U)
Packaging	Weight	17,1 kg
	Dimension (L x W x H)	77,5 x 58 x 21 cm

Korat-1708TU-IP / Korat-1716TU-IP



- 17" LCD Monitor with LED Backlight
- Dual telescopic rails
- 8 / 16 Port USB / PS/2 KVM with IP Module
- 3 Frontside USB



Korat-1708TU-IP / Korat-1716TU-IP is a 17" Monitor, Keyboard-Drawer with LED Backlight. a value keyboard with number block and touchpad .integrated 8 /16 Port USB/PS2 KVM with IP module and 3 Front USB connector complete the external design. The casing conforms the 1U Standard, easily installed and mountable with the included mounting kit. The integrated elescopic dual-rail ensures the separate pull of keyboard and monitor .

Specifications:

- 1 x IP module – many users can use a"Shared Session" for a access to the identical Session (IP-User -shared with the local user)
- 8 / 16 Port Tree-chainable Rackmount USB PS/2 KVM-Switch with OSD
- Easy setup and operation via web-Interface.
- DNS and authentication Settings (Local Authentication, LDAP or RADIUS)
- Almost the only KVM switch that reflects the monitor identifiers (DDC / EDID) and provide all ports permanently to the computers ,therefore the computer can be rebooted at any time with a correct and always displayed resolution
- Full-time DDC Support = Monitor-Emulation = each server is the permanent faked "original" to the KVM switch connected display and thus there are no problems with boats in background
- Tree-chainable zum for the next Level untill 8 KVM-TU8 KVM-Switches
- Tree-chaining distance until 5 meter
- Port capacity ist scalable until 64/256 PCs overTree-chaining with TU-Models
- USB and PS/2 Interface support for both sides- console und PC side
- Computer choice over Push-Buttons, Keyboard-Hotkeys und OSD-Menu
- Support DOS, Windows 95/98/SE/2000/XP/Vista/Server 2003/Server 2008 und Windows 7 / 9, Linux, MacOS, and more
- Numeric LED-Status displays to a clearly display of the port status
- Perfect keyboard / mouse emulation for a safe function on all computers and operating systems
- Pro-Port Controller to keep the function of keyboard and mouse in case of error , if the KVM switch didn't receives a external power
- Advanced PS / 2 mouse reset hotkeys for non-PnP OS , WinNT 4.0 and Linux
- Buzzer sound confirm the hotkey and port circuit (de-activated)
- Autoscan dwell time of 5 ~ 95 seconds for OSD programmable
- Password protection Auto-Logout Timeout-Support
- Firmware/Software upgradable
- 1024-bit PKI Authentication & 256-bit SSL Encryption
- Support LDAP / RADIUS / Active Directory Server



Properties:

- 1U 17" LCD console , 630mm deep
- Stepless,adjustable angle from 0 to 105° over high quality and unique torque hinges
- Easy one man assembly with the provided angles
- 3 Front USB
- Integrated 8/16 port USB/PS2/KVM with IP module
- Adjustable depth from 590 mm up to 970 mm tread depth
- Chromed metal handle
- Practical knurled screws
- High graphic resolution, up to 1280 x 1024 with 60Hz DDC, DDC2 und DDC2B

Keyboard versions:

Available in following versions : German (DE), US-English (US), French (FR), Spanish (SP), Italian (IT), und Russian (RU).

Versions available on request : UK-English (UK), Danisch (DK), Swiss(CH), Thai (TH), Turkish (TK), Japanese(JP), Chinese (CI), Belgian (BE), norwegian (NO), portugiuiese (PT), french/kanadian (CA) and Israeli /Hebrew (IS) ,Swedish Finnish (SW) ,

Technical data:

Connections KVM	Graphic / Keyboard / Mouse	8 / 16 HDDB-15
	Serial	1RS232
	External (HUB)	3 X USB-Typ-B
Connection IP module	IP access	1 x RJ-45
	Power supply	1 x DC-12V
Connection cable (not included in the delivery)	USB / PS2/VGA combo	KAB-102-4 (1,8m), KAB-103-4 (3,0m) KAB-105-4(5,0m)
	USB / VGA	KAB-102U-1 (1,8m)
Switch	LCD settings	4 Pressure switch
	ON / OFF	1 Pressure switch
	OFF (LCD folded)	1 Semi-covert pressure switch
LED-Display panel	Operation	1 x green
	Number	1 x green
	Capital letters	1 x green
	Scroll	1 x green
LED-Display KVM	Port/Switch	8 x 16 green (Port) 8 x red (USB)
Emulation	Keyboard/ Mouse	USB & PS/2
	Display	Yes
Graphic	17" LCD	1280 x 1024
	Colors	16,2 Mio.
	Frame Rate	H: 31,0 KHz. – 81,0 KHz. V: 56,0 KHz. – 76,0 KHz.
	Viewing angle	H: 140° / V: 130°
	Bandwith	140 Mhz.
	Brightness	300 cd/m ²
	Contrast	700 : 1
	Reaktion time	4 ms.
	Pixel pitch	0,264mm (H) x 0,264mm (V)
	Backlight	LED
Input values	100 V. – 240 V. AC, 48 Hz – 62 Hz	
Output values	DC 12V., 4,16A	
Power consumption	230 V / 14,6 Watt	
Certification	RoHS, RoHS2, CE	
Environment	Operating temperature	0 – 40°C
	Storage temperature	-20 – 60°C
	Humidity	0 – 80% relative humidity (non condensing)
Physical properties	Casing	High performance steel
	Color	RAL 9005
	Weight	12,9 kg incl. angles
	Dimension (L x W x H) without handle	63,00 x 43,6 x 4,4cm (19" / 1U)
	Dimension (L x W x H) with handle	66,0x 43,6 x 4,4cm (19" / 1U)
Packaging	Weight	17,1 kg
	Dimension (L x W x H)	77,5 x 58 x 21 cm

Korat-1716K5

- 17" LCD Monitor with LED Backlight
- Dual telescopic rail
- 16 Port CAT.5 KVM



Korat-1716K5 is a 17" Monitor, Keyboard-Drawer with LED Backlight. a value keyboard with number block and touchpad integrated 16 Port CAT.5KVM . The casing conforms the 1U Standard, easily installed and mountable with the included mounting kit. The integrated telescopic dual-rail ensures the separate pull of keyboard and monitor .

Specifications:

- Tree-chainable for next Level up to 16 KVM-0116PMC Switches
- Tree-chaining distance up to 5 meter
- Port capacity is scalable up to 256 PCs through Tree-chaining with PMC Models
- Computer-Selection through Keyboard -Hotkeys and OSD-Menu
- On-Screen-Display und system notification as a Pop-Up
- Additional console port (competing)
- With an additional (optional) receiver PMC-300R can reflect the control panel and through 1: 1 Cat.x cable connection
- Support DOS, Windows 95/98/SE/2000/XP/Vista/Server 2003/Server 2008 und Windows 7 / 9, Linux, MacOS, etc.
- Numeric LED-Status displays to a clearly display of the port status Buzzer sound confirm the hotkey and port circuit (de-activated)
- Autoscan dwell time of 5 ~ 95 seconds for OSD programmable Password protection Auto-Logout Timeout-Support
- Firmware/Software upgradable
- Auto-Logout Timeout-Support

Properties:

- 1U 17" LCD console , 590 mm deep
- Stepless,adjustable angle from 0 to 105° over high quality and unique torque hinges
- Easy one man assembly with the provided angles
- Integrated 16 port CAT.5KVM
- Adjustable depth from 590 mm up to 970 mm tread depth
- Chromed metal handle
- Practical knurled screws
- High graphic resolution, up to 1280 x 1024 with 60Hz DDC, DDC2 und DDC2B

Keyboard versions:

Available in following versions : German (DE), US-English (US), French (FR), Spanish (SP), Italian (IT), und Russian (RU).

Versions available on request : UK-English (UK), Danisch (DK), Swiss(CH), Thai (TH), Turkish (TK), Japanese(JP), Chinese (CI), Belgian (BE), norwegian (NO), portuguese (PT), french/kanadian (CA) and Israeli /Hebrew (IS) ,Swedish Finnish (SW) ,



Technical data:

Connections KVM	Graphic / Keyboard / Mouse	16 x RJ-45
	Console(remote)	1 x RJ-45 for PMC-300R
	Console (local)	1 x VGA/2 x USB-A
	Firmware	1 x USB-B
	Power supply	1 x DC-12V
	Remote	1 x RJ-45
Connection cable / Dongle (not included in the delivery)	VGA & 2 x PS/2	Dongle-PS/2 V3
	VGA & 1 x USB	Dongle-USB V3
Switch	LCD settings	4 Pressure switch
	ON / OFF	1 Pressure switch
	OFF (LCD folded)	1 Semi-covert pressure switch
LED-Display panel	Operation	1 x green
	Number	1 x green
	Capital letters	1 x green
	Scroll	1 x green
LED-Display KVM	Port/Switch	16 /32 green (Port)
Emulation	Keyboard/ Mouse	USB & PS/2
Port selection	Push buttons / hotkey / OSD	
Graphic	17" LCD	1280 x 1024
	Colors	16,2 Mio.
	Frame Rate	H: 31,0 KHz. – 81,0 KHz. V: 56,0 KHz. – 76,0 KHz.
	Viewing angle	H: 140° / V: 130°
	Bandwith	140 Mhz.
	Brightness	300 cd/m ²
	Contrast	700 : 1
	Reaktion time	4 ms.
	Pixel pitch	0,264mm (H) x 0,264mm (V)
	Backlight	LED
Input values	100 V. – 240 V. AC, 48 Hz – 62 Hz	
Output values	DC 12V., 4,16A	
Power consumption	230 V / 19,5 Watt / Standby: 11,9 Watt	
Certification	RoHS, RoHS2, CE	
Environment	Operating temperature	0 – 40°C
	Storage temperature	-20 – 60°C
	Humidity	0 – 80% relative humidity (non condensing)
Physical properties	Casing	High performance steel
	Color	RAL 9005
	Weight	14,1 kg incl. angles
	Dimension (L x W x H) without handle	63,00 x 43,6 x 4,4cm (19" / 1U)
	Dimension (L x W x H) with handle	66,0x 43,6 x 4,4cm (19" / 1U)
Packaging	Weight	18,2 kg
	Dimension (L x W x H)	77,5 x 58 x 21 cm

Korat-1716IP



- 17" LCD Monitor mit LED Backlight
- Dual telescopic rail
- 16 Port CAT.5 KVM with IP module



Korat-1716IP is a 17" Monitor, Keyboard-Drawer with LED Backlight. a value keyboard with number block and touchpad integrated 16 Port CAT.5 KVM with IP module. The casing conforms the 1U Standard, easily installed and mountable with the included mounting kit. The integrated Telescopic dual-rail ensures the separate pull of keyboard and monitor .

Two consoles and IP-Access, comfortable server management from different locations

Up to three user stations (1x locally, 1x "shared" on IP and 1 x "shared" with "optional" Receiver 1: 1 through CAT cable)

Selection of different administrations

All operating options show the identical image in "competing" service

Properties:

- 1U 17" LCD console , 630mm deep
- Stepless,adjustable angle from 0 to 105° over high quality and unique torque hinges
- Easy one man assembly with the provided angles
- Integrated 16 Port CAT.5 KVM with IP module
- Adjustable depth from 590 mm up to 970 mm tread depth
- Chromed metal handle
- Practical knurled screws
- High graphic resolution, up to 1280 x 1024 with 60Hz DDC, DDC2 und DDC2B

Keyboard versions:

Available in following versions : German (DE), US-English (US), French (FR), Spanish (SP), Italian (IT), und Russian (RU).

Versions available on request : UK-English (UK), Danisch (DK), Swiss(CH), Thai (TH), Turkish (TK), Japanese(JP), Chinese (CI), Belgian (BE), norwegian (NO), portuguese (PT), french/kanadian (CA) and Israeli /Hebrew (IS) ,Swedish Finnish (SW)



Specifications:

- CAT x cabling for up to 30m distance connection
- Administration access from different locations
- Tree-chainable up to 16 PMC KVM-Switches as a slaves
- On-Screen-Display and system notifications as a Pop-Up
- Upgradable Firmware
- "Remote" User-Management with dedicated-assignment and visibility of the respective user assigned server (user groups).
The IP Extender can work without ActiveX and even without Java extremely fast over a supplied Win32 client viewer software.
- Access via the platform-independent and fast Java viewer for all operating systems -
- "remote" in both viewers and the German "AltGr" and support also the special characters | @ € ~ ..etc
- The Viewer can be easily downloaded from the web interface
- Suitable for any PC / Server with PS / 2 and / or USB
- Port capacity is scalable up to 256 PCs through Tree-chaining with PMC models
- Computer selection through keyboard-Hotkeys and OSD-Menu
- additional console port (competing)
- With an additional (optional) Receiver PMC-300R can reflect the control panel and through a 1: 1 Cat.x cable connection
- Support DOS, Windows 95/98/SE/2000/XP/Vista/Server 2003/Server 2008 and Windows 7 / 9, Linux, MacOS, etc.
- Numeric LED-Status displays to a clearly display of the port status
- Buzzer sound confirm the hotkey and port circuit (de-activated)
- Autoscan dwell time of 5 ~ 95 seconds for OSD programmable
- Password protection
- Auto-Logout Timeout-Support

Technical data:

Connections KVM	Graphic / Keyboard / Mouse	16 x RJ-45
	Console(remote)	1 x RJ-45 for PMC-300R
	Console (local)	1 x VGA/2 x USB-A
	Firmware	1 x USB-B
	Power supply	1 x DC-12V
	Remote	1 x RJ-45
	Serial	1 x RJ -11 (devices) 1 x RJ-11 (Hyper Terminal)
Connection cable / Dongle (not included in the delivery)	VGA & 2 x PS2	Dongle-PS/2 V3
	VGA & 1 x USB	Dongle-USB V3
Switch	LCD settings	4 Pressure switch
	ON / OFF	1 Pressure switch
	OFF (LCD folded)	1 Semi-covert pressure switch
LED-Display panel	Operation	1 x green
	Number	1 x green
	Capital letters	1 x green
	Scroll	1 x green
LED-Display KVM	Port/Switch	16 green (Port)
Emulation	Keyboard/ Mouse	USB & PS/2
	Display	Yes
Graphic	17" LCD	1280 x 1024
	Colors	16,2 Mio.
	Frame Rate	H: 31,0 KHz. – 81,0 KHz. V: 56,0 KHz. – 76,0 KHz.
	Viewing angle	H: 140° / V: 130°
	Bandwith	140 Mhz.
	Brightness	300 cd/m ²
	Contrast	700 : 1
	Reaktion time	4 ms.
	Pixel pitch	0,264mm (H) x 0,264mm (V)
	Backlight	LED
Input values	100 V. – 240 V. AC, 48 Hz – 62 Hz	
Output values	DC 12V., 4,16A	
Power consumption	230 V / 14,1 Watt / Standby 11,9 Watt	
Certification	RoHS, RoHS2, CE	
Environment	Operating temperature	0 – 40°C
	Storage temperature	-20 – 60°C
	Humidity	0 – 80% relative humidity (non condensing)
Physical properties	Casing	High performance steel
	Color	RAL 9005
	Weight	14,1 kg incl. angles
	Dimension (L x W x H) without handle	63,00 x 43,6 x 4,4cm (19" / 1U)
	Dimension (L x W x H) with handle	66,0x 43,6 x 4,4cm (19" / 1U)
Packaging	Weight	18,2 kg
	Dimension (L x W x H)	77,5 x 58 x 21 cm

EM-3017RM

- 17" LCD Monitor with LED Backlight
- Easy installation
- Depth 560mm only



EM-3017RM is a 17" Monitor, Keyboard-Drawer with LED Backlight. a value keyboard with number block and touchpad complete the external design and make it an allrounder device. The casing conforms the 1U Standard, easily installed and mountable with the included mounting kit.



Properties :

- 1U 17" LCD console , 560mm deep
- Stepless,adjustable angle from 0 to 105° over high quality and unique torque hinges
- Easy one man assembly with the provided angles
- Adjustable depth from 555 mm up to 935 mm tread depth
- Chromed metal handle
- Practical knurled screws
- High graphic resolution, up to 1280 x 1024 with 60Hz DDC, DDC2 und DDC2B

Keyboard versions :

Available in following versions : German (DE), US-English (US), French (FR), Spanish (SP), Italian (IT), und Russian (RU).

Versions available on request : UK-English (UK), Danisch (DK), Swiss(CH), Thai (TH), Turkish (TK), Japanese(JP), Chinese (CI), Belgian (BE), norwegian (NO), portuguese (PT), french/kanadian (CA) and Israeli /Hebrew (IS) ,Swedish Finnish (SW) ,

Specifications :

- Practical DB-15 connector, combined with our cable KAB-102-4 (1 x VGA 1 x USB and 2 x PS/2)
- compatible with the most PS/2-KVM and USB-KVM-Switches
- Support friendly external power supply
- Support DOS, Windows 95/98/SE/2000/XP/Vista/Server 2003/Server 2008 und Windows 7 / 9, Linux, MacOS, etc.
- Perfect keyboard / mouse emulation for safe function on all computers and operating systems

Technical data:

Connections	Graphic / Keyboard / Mouse	1 x HDDB-15
	Power supply	1 x DC-12V
Connection cable (included)	PS/2 / USB / VGA Combo	KAB-102-4(1,8m)
Optional connection cable	PS/2 / USB / VGA Combo	KAB-103-4 (3 m), KAB-105-4 (5m)
Switch	LCD settings	4 Pressure switch
	ON / OFF	1 Pressure switch
	OFF (LCD folded)	1 Semi-covert pressure switch
LED-Display panel	Operation	1 x green
	Number	1 x green
	Capital letters	1 x green
	Scroll	1 x green
Emulation	Keyboard/ Mouse	USB and PS/2
	Display	Yes
Graphic	17" LCD	1280 x 1024
	Colors	16,2 Mio.
	Frame Rate	H: 31,0 KHz. – 81,0 KHz. V: 56,0 KHz. – 76,0 KHz.
	Viewing angle	H: 140° / V: 130°
	Bandwith	140 Mhz.
	Brightness	300 cd/m ²
	Contrast	700 : 1
	Reaktion time	4 ms.
	Pixel pitch	0,264mm (H) x 0,264mm (V)
	Backlight	LED
Input values	100 V. – 240 V. AC, 48 Hz – 62 Hz	
Output values	DC 12V., 4,16A	
Power consumption	230 V / 18,8 Watt	
Certification	RoHS, RoHS2, CE	
Environment	Operating temperature	0 – 40°C
	Storage temperature	-20 – 60°C
	Humidity	0 – 80% relative humidity (non condensing)
Physical properties	Casing	High performance steel
	Color	RAL 9005
	Weight	12,9 kg incl. angles
	Dimension (L x W x H) without handle	56,00 x 43,6 x 4,4cm (19" / 1U)
	Dimension (L x W x H) with handle	60,30 x 43,6 x 4,4cm (19" / 1U)
Packaging	Weight	17,1 kg
	Dimension (L x W x H)	77,5 x 58 x 21 cm

EM-3017-DVI

- 17" LCD Monitor with LED Backlight
- DVI und VGA Input
- Depth 560mm only



EM-3017DVI is a 17" Monitor, Keyboard-Drawer with LED Backlight. a value keyboard with number block and touchpad Integrated DVI and VGA Input complete the external design and make it an allrounder device. The casing conforms the 1U Standard, easily installed and mountable with the included mounting kit.

Specifications :

- DVI-I und VGA Input, USB for Keyboard und Touchpad
- compatible with the most KVM-Switches
- Support friendly external power supply
- Support DOS, Windows 95/98/SE/2000/XP/Vista/Server 2003/Server 2008 und Windows 7 / 9, 10 Linux, MacOS, etc.
- Perfect keyboard / mouse emulation for safe function on all computers and operating systems

Properties :

- 1U 17" LCD console , 560mm deep
- Stepless,adjustable angle from 0 to 105° over high quality and unique torque hinges
- Easy one man assembly with the provided angles
- Integrated DVI and VGA Input
- Adjustable depth from 555 mm up to 935 mm tread depth
- Chromed metal handle
- Practical knurled screws
- High graphic resolution, up to 1280 x 1024 with 60Hz DDC, DDC2 und DDC2B

Keyboard versions :

Available in following versions : German (DE), US-English (US), French (FR), Spanish (SP), Italian (IT), und Russian (RU).

Versions available on request : UK-English (UK), Danisch (DK), Swiss(CH), Thai (TH), Turkish (TK), Japanese(JP), Chinese (CI), Belgian (BE), norwegian (NO), portuguese (PT), french/kanadian (CA) and Israeli /Hebrew (IS) ,Swedish Finnish (SW) ,

Technical data:

Connections	Graphic	1 x DVI-I 1 x VGA
	Keyboard / Mouse	1 x USB-Typ-A
	Power supply	1 x DC-12V
Connection cable (included in the delivery)	Graphic	1 x DVI-D, 1 x VGA(1,8m)
	Keyboard/Mouse	1 x USB-A for A (1,8m)
Switch	LCD settings	4 Pressure switch
	ON / OFF	1 Pressure switch
	OFF (LCD folded)	1 Semi-covert pressure switch
LED-Display panel	Operation	1 x green
	Number	1 x green
	Capital letters	1 x green
	Scroll	1 x green
Emulatio	Keyboard/ Mouse	USB and PS/2
	Display	Yes
Graphic	17" LCD	1280 x 1024
	Colors	16,2 Mio.
	Frame Rate	H: 31,0 KHz. – 81,0 KHz. V: 56,0 KHz. – 76,0 KHz.
	Viewing angle	H: 140° / V: 130°
	Bandwith	140 Mhz.
	Brightness	300 cd/m ²
	Contrast	700 : 1
	Reaktion time	4 ms.
	Pixel pitch	0,264mm (H) x 0,264mm (V)
		Backlight
Input values	100 V. – 240 V. AC, 48 Hz – 62 Hz	
Output values	DC 12V., 4,16A	
Power consumption	230 V / 13,3 Watt	
Certification	RoHS, RoHS2, CE	
Environment	Operating temperature	0 – 40°C
	Storage temperature	-20 – 60°C
	Humidity	0 – 80% relative humidity (non condensing)
Physical properties	Casing	High performance steel
	Color	RAL 9005
	Weight	10,5 kg incl. angles
	Dimension (L x W x H) without handle	56,00 x 43,6 x 4,4cm (19" / 1U)
	Dimension (L x W x H) with handle	60,30 x 43,6 x 4,4cm (19" / 1U)
Packaging	Weight	15,4 kg
	Dimension (L x W x H)	78,5 x 58 x 21 cm

EM-817DVI



- 17" LCD Monitor with LED Backlight
- 8 Port DVI / USB KVM
- Depth 560mm only



EM-817DVI is a 17" Monitor, Keyboard-Drawer with LED Backlight. a value keyboard with number block and touchpad Integrated 8 Port DVI / USB KVM complete the external design. The casing conforms the 1U Standard, easily installed and mountable with the included mounting kit.

Specifications:

- DVI-Graphic Card ensure always a proper resolution even if the background needs to be rebooted
- DDC/EDID-reflection signal with Active Sync Replication (A.S.R) ensures a permanent (all Time) DDC-Emulation places the transmission of the monitor informations to all available Ports ,Allows the use of the original monitor driver of the monitor manufacturer and DVI-"boots" in the background
- Port-choice with the Select-Button or HotKeys (5 alternative keyboard shortcuts)
- Programmable Hotkey feature alternative Hotkey (Scroll, Cap, Esc, F12, Num)
- LED Port/Status-Display
- UHCI, OHCI USB Interface Support
- Independant or shareable USB2.0 Hub and PC-Port selection
- Permanent Keyboard /Mouse emulation for waiting times after the switch.
- Firmware over USB always up to date
- USB/Keyboard/Mouse emulation upgradable.
- Cascadable for 64 Servers
- Monitor OSD Menu in the following langagues adjustable German, English Spanish, Italian , French, Portuguese, Korean, Cyrillic, Japanese, trad. Chinese, mod. Chinese
- Supports all USB suitable operation systems: for exemple Win98SE / 2000 / 2003... / ME / XP / Vista / Server 2008 /Windows 7, Windows 8 Windows 8.1 and the following versions LINUX, ...
- Compatible with MAC G3/G4, MACmini and iMAC. It works with Mac OS X 10.4.10 (and other systems)

Properties:

- 1U 17" LCD console , 560mm deep
- Stepless,adjustable angle from 0 to 105° over high quality and unique torque hinges
- Easy one man assembly with the provided angles
- Integrated 8 port DVI / USB KVM
- Adjustable depth from 555 mm up to 935 mm tread depth
- Chromed metal handle
- Practical knurled screws
- High graphic resolution, up to 1280 x 1024 with 60Hz DDC, DDC2 und DDC2B

Keyboard versions:

Available in following versions : German (DE), US-English (US), French (FR), Spanish (SP), Italian (IT), und Russian (RU).

Versions available on request : UK-English (UK), Danisch (DK), Swiss(CH), Thai (TH), Turkish (TK), Japanese(JP), Chinese (CI), Belgian (BE), norwegian (NO), portuguese (PT), french/kanadian (CA) and Israeli /Hebrew (IS) ,Swedish Finnish (SW) ,

Technical data:

Connections	Graphic	8 x DVI-I Socket (use only DVI-D cable)	
	Keyboard / Mouse	8 x USB-Typ-B	
	External (Hub)	3 x USB 2,0 (switchable)	
	Power supply	1 x DC-12V	
Connection cable (not included in the delivery)	USB / DVI-cable	KAB-102DVI (1,8m)	
Switch	LCD settings	4 Pressure switch	
	ON / OFF	1 Pressure switch	
	OFF (LCD folded)	1 Semi-covert pressure switch	
LED-Display panel	Operation	1 x green	
	Number	1 x green	
	Capital letters	1 x green	
	Scroll	1 x green	
LED-Display KVM	Port/Switch	8 x green (Port)	
		8 x red (USB)	
Emulation	Keyboard/ Mouse	Yes (HID with USB1.1	
	Display	Yes(A.S.R.)	
Port selction	Hotkey /Key sequence of keyboard		
Graphic	17" LCD	1280 x 1024	
	Colors	16,2 Mio.	
	Frame Rate	H: 31,0 KHz. – 81,0 KHz. V: 56,0 KHz. – 76,0 KHz.	
	Viewing angle	H: 140° / V: 130°	
	Bandwith	140 Mhz.	
	Brightness	300 cd/m ²	
	Contrast	700 : 1	
	Reaktion time	4 ms.	
	Pixel pitch	0,264mm (H) x 0,264mm (V)	
	Backlight	LED	
	Input values	100 V. – 240 V. AC, 48 Hz – 62 Hz	
	Output values	DC 12V., 4,16A	
Power consumption	230 V / 18,8 Watt		
Certification	RoHS, RoHS2, CE		
Environment	Operating temperature	0 – 40°C	
	Storage temperature	-20 – 60°C	
	Humidity	0 – 80% relative humidity (non condensing)	
Physical properties	Casing	High performance steel	
	Color	RAL 9005	
	Weight	12,9 kg incl. angles	
	Dimension (L x W x H) without handle	56,00 x 43,6 x 4,4cm (19" / 1U)	
	Dimension (L x W x H) with handle	60,30 x 43,6 x 4,4cm (19" / 1U)	
Packaging	Weight	17,1 kg	
	Dimension (L x W x H)	77,5 x 58 x 21 cm	

EM-817TU / EM-1617TU

- 17" LCD Monitor with LED Backlight
- 8 / 16 Port KVM USB / PS/2
- Depth 560mm only



The EM-817TU/ EM-1617TU is a 17" LED-Monitor, Keyboard-Drawer with LED Backlight, value keyboard with number block and touchpad .Integrated 8 /16 Port USB/PS/2 KVM complete the external design. The casing conforms the 1U Standard, easily installed and mountable with the included mounting kit.

Specifications:

- 8 / 16 Port Tree-chainable Rackmount USB PS/2 KVM-Switch with OSD
- Almost the only KVM switch that reflects the monitor identifiers (DDC / EDID to all ports permanently and the computer can reboot at any time and the resolution is still always displayed correctly
- Full-time DDC Support = Monitor-Emulation = every server is the "original" permanent faked connected display to the KVM switch to avoid problems with boots in background.
- Tree-chainable for the next Level until 8 KVM-TU8 KVM-Switches
- Tree-chaining Distance until 5 meter
- Port capacity is scalable up to 64/256 PCs over Tree-chaining with TU-models
- USB and PS / 2 interface support on both sides - console and PC side
- Computer selection via push buttons, keyboard hotkeys and OSD menu
- Supports DOS, Window 95/98/SE / 2000 / 2003... / ME / XP / Vista / Server 2008 /Windows 7, Windows 8 Windows 8.1 and the following versions LINUX, MacOS...etc
- Compatible with MAC G3/G4, MACmini and iMAC. It works with Mac OS X 10.4.10 (and other systems)
- Numeric LED status indicators for clear display of port status
- Permanent Keyboard /Mouse emulation for safe function on all computers and operating systems
- Pro-port controller to maintain the keyboard and mouse by error unless the KVM switch receives no external power
- Advanced PS / 2 mouse reset hotkeys for non-PnP OS ,WinNT 4.0 and Linux
- Buzzer sound acknowledges the hotkey and port circuit (de-activated)
- Autoscan dwell time of 5 ~ 95 seconds for OSD programmable
- Password protection
- Auto-logout timeout support
- Firmware / Software upgradable

Properties:

- 1U 17" LCD console , 560 mm deep
- Stepless,adjustable angle from 0 to 105° over high quality unique connecting adapter
- Easy one man assembly with the angles as provided by the console
- Adjustable depth from 555mm up to 935mm tread depth
- Chromed metal handle
- Practical knurled screws
- Integrated 8 / 16 Port USB/ PS/2 KVM
- High graphic resolution, up to 1280 x 1024 with 60Hz DDC, DDC2 and DDC2B

Keyboard versions:

Available in following versions : German (DE), US-English (US), French (FR), Spanish (SP), Italian (IT), und Russian (RU).

Versions available on request : UK-English (UK), Danisch (DK), Swiss(CH), Thai (TH), Turkish (TK), Japanese(JP), Chinese (C), Belgian (BE), norwegian (NO), portuguese (PT), french/kanadian (CA) and Israeli /Hebrew (IS).

Technical data:

Connections KVM	Graphic	8 /16 HDDB-15
	Power supply	1 x DC-12V
Connection cable (not included in the delivery)	PS2/USB / VGA/ COMBO	KAB-102-4 (1,8m), KAB-103-4 (3,0m), KAB-105-4 (5,0m)
	USB / VGA	KAB-102U-1 (1,8m)
Switch	LCD settings	4 Pressure switch
	ON / OFF	1 Pressure switch
	OFF (LCD folded)	1 Semi-covert pressure switch
LED-Display panel	Operation	1 x green
	Number	1 x green
	Capital letters	1 x green
	Scroll	1 x green
LED-Display KVM	Port/Switch	8 x 16 green (Port)
		8 x red (USB) For EM Serie no function
Emulation	Keyboard/ Mouse	USB / PS/2
	Display	Yes
Port selction	Push Button / Hotkey / OSD	
Graphic	17" LCD	1280 x 1024
	Colors	16,2 Mio.
	Frame Rate	H: 31,0 KHz. – 81,0 KHz. V: 56,0 KHz. – 76,0 KHz.
	Viewing angle	H: 140° / V: 130°
	Bandwith	140 Mhz.
	Brightness	300 cd/m ²
	Contrast	700 : 1
	Reaktion time	4 ms.
	Pixel pitch	0,264mm (H) x 0,264mm (V)
	Backlight	LED
Input values	100 V. – 240 V. AC, 48 Hz – 62 Hz	
Output values	DC 12V., 4,16A	
Power consumption	230 V / 16,8 Watts	
Certification	RoHS, RoHS2, CE	
Environment	Operating temperature	0 – 40°C
	Storage temperature	-20 – 60°C
	Humidity	0 – 80% relative humidity (non condensing)
Physical properties	Casing	High performance steel
	Color	RAL 9005
	Weight	12,9 kg incl. angles
	Dimension (L x W x H) without handle	56,00 x 43,6 x 4,4cm (19" / 1U)
	Dimension (L x W x H) with handle	60,20 x 43,6 x 4,4cm (19" / 1U)
Packaging	Weight	17,1 kg
	Dimension (L x W x H)	77,5 x 58 x 21 cm

EM-817TU-IP / EM-1617TU-IP



- 17 LCD Monitor with LED Backlight
- 8/16 Port KVM with IP module
- Depth: 580 mm only



The EM-817TU-IP / EM-1617TU-IP is a 17" LED-Monitor, Keyboard-Drawer with LED Backlight, value keyboard with number block and touchpad is integrated. 8 /16 Port KVM with IP module complete the external design. The casing conforms the 1U Standard, easily installed and mountable with the included mounting kit.

Specifications:

- 1 x IP for several users with „Shared session“ identical session access (IP User shared with the local users)
- 8 / 16 Port Tree-chainable Rackmount USB PS/2 KVM-Switch with OSD
- Easy setup and operation via web interface
- DNS and Authentication Settings (Local Authentication, LDAP or RADIUS)
- Almost the only KVM switch that reflects the monitor identifiers (DDC / EDID to all ports permanently and the computer can reboot at any time and the resolution is still always displayed correctly)
- Full-time DDC Support = Monitor-Emulation = every server is the "original" permanent faked connected display to the KVM switch to avoid problems with boots in background.
- Tree-chainable for the next Level until 8 KVM-TU8 KVM-Switches
- Tree-chaining Distance until 5 meter
- Port capacity is scalable up to 64/256 PCs over Tree-chaining with TU-models
- USB and PS / 2 interface support on both sides - console and PC side
- Computer selection via push buttons, keyboard hotkeys and OSD menu
- Supports DOS, Window 95/98/SE / 2000 / 2003... / ME / XP / Vista / Server 2008 / Windows 7, Windows 8 Windows 8.1 and the following versions LINUX, MacOS...etc
- Compatible with MAC G3/G4, MACmini and iMAC. It works with Mac OS X 10.4.10 (and other systems)
- Numeric LED status indicators for clear display of port status
- Permanent Keyboard / Mouse emulation for safe function on all computers and operating systems
- Pro-port controller to maintain the keyboard and mouse by error unless the KVM switch receives no external power
- Advanced PS / 2 mouse reset hotkeys for non-PnP OS ,WinNT 4.0 and Linux
- Buzzer sound acknowledges the hotkey and port circuit (de-activated)
- Autoscan dwell time of 5 ~ 95 seconds for OSD programmable
- Password protection
- Auto-logout timeout support
- Firmware / Software upgradable
- 1024-bit PKI Authentication & 256-bit SSL Encryption
- Supports LDAP / RADIUS / Active Directory Serve



Properties:

- 1U 17" LCD console , 580 mm deep
- Stepless, adjustable angle from 0 to 105° over high quality unique connecting adapter
- Easy one man assembly with the angles as provided by the console
- Adjustable depth from 575mm up to 955mm tread depth
- Chromed metal handle
- Practical knurled screws
- Integrated 8 Port / 16 KVM with IP Module
- High graphic resolution, up to 1280 x 1024 with 60Hz DDC, DDC2 und DDC2B
- Worldwide access through a built-in IP module

Keyboard versions:

Available in following versions : German (DE), US-English (US), French (FR), Spanish (SP), Italian (IT), und Russian (RU).

Versions available on request : UK-English (UK), Danisch (DK), Swiss(CH), Thai (TH), Turkish (TK), Japanese(JP), Chinese (CI), Belgian (BE), norwegian (NO), portuguese (PT), french/kanadian (CA) and Israeli /Hebrew (IS).

Technical data:

Connections	Graphic	8 /16 HDDB-15
IP module connection	IP access	1 X RJ-45
	Serial	1 X RS232
	Power supply	1 x DC-12V
Connection cable (not included in the delivery)	PS2/USB / VGA/ COMBO	KAB-102-4 (1,8m), KAB-103-4 (3,0m), KAB-105-4 (5,0m)
	USB / VGA	KAB-102U-1 (1,8m)
Switch	LCD settings	4 Pressure switch
	ON / OFF	1 Pressure switch
	OFF (LCD folded)	1 Semi-covert pressure switch
LED-Display panel	Operation	1 x green
	Number	1 x green
	Capital letters	1 x green
	Scroll	1 x green
LED-Display KVM	Port/Switch	8 x 16 green (Port)
		8 x red (USB) For EM Serie no function
Emulation	Keyboard/ Mouse	USB / PS/2
	Display	Yes
Port selction	Push Button / Hotkey / OSD	
Graphic	17" LCD	1280 x 1024
	Colors	16,2 Mio.
	Frame Rate	H: 31,0 KHz. – 81,0 KHz. V: 56,0 KHz. – 76,0 KHz.
	Viewing angle	H: 140° / V: 130°
	Bandwith	140 Mhz.
	Brightness	300 cd/m ²
	Contrast	700 : 1
	Reaktion time	4 ms.
	Pixel pitch	0,264mm (H) x 0,264mm (V)
	Backlight	LED
	Input values	100 V. – 240 V. AC, 48 Hz – 62 Hz
Output values	DC 12V., 4,16A	
Power consumption	230 V / 16,8 Watts	
Certification	RoHS, RoHS2, CE	
Environment	Operating temperature	0 – 40°C
	Storage temperature	-20 – 60°C
	Humidity	0 – 80% relative humidity (non condensing)
Physical properties	Casing	High performance steel
	Color	RAL 9005
	Weight	12,9 kg incl. angles
	Dimension (L x W x H) without handle	58,00 x 41,55 x 4,4cm (19" / 1U)
	Dimension (L x W x H) with handle	62,2 x 41,55 x 4,4cm (19" / 1U)
Packaging	Weight	17,1 kg
	Dimension (L x W x H)	77,5 x 58 x 21 cm

EM-1617K5



- 17" LCD Monitor with LED Backlight
- 16 Port CAT.5 KVM
- Depth 560mm only



EM-1617K5 is a 17" Monitor, Keyboard-Drawer with LED Backlight. a value keyboard with number block and touchpad integrated 16 Port CAT.5KVM complete the external design. The casing conforms the 1U Standard, easily installed and mountable with the included mounting kit. The integrated telescopic dual-rail ensures the separate pull of keyboard and monitor .

Specifications :



- Tree-chainable for next Level up to16 KVM-0116PMC Switches
- Tree-chaining distance up to 5 meter
- Port capacity is scalable up to 256 PCs through Tree-chaining with PMC Models
- Computer-Selection through Keyboard -Hotkeys and OSD-Menu
- On-Screen-Display und system notification as a Pop-Up
- Additional console port (competing)
- With an additional (optional) receiver PMC-300R can reflect the control panel and through 1: 1 Cat.x cable connection
- Integrated 3-port USB2.0 hub devices on the console front for sharing uses of USB2.0 and USB1.1 devices (and other devices like mouse, scanners, printers, cameras, USB storage devices, ...) on all PC 's
- Support DOS, Windows 95/98/SE/2000/XP/Vista/Server 2003/Server 2008 und Windows 7 / 9, Linux, MacOS, etc.
- Numeric LED-Status displays to a clearly display of the port status Buzzer sound confirm the hotkey and port circuit (de-activated)
- Autoscan dwell time of 5 ~ 95 seconds for OSD programmable Password protection Auto-Logout Timeout-Support
- Firmware/Software upgradable
- Auto-Logout Timeout-Support

Properties :

- 1U 17" LCD console , 560mm deep
- Stepless,adjustable angle from 0 to 105° over high quality and unique torque hinges
- Easy one man assembly with the provided angles
- Integrated16 port CAT.5KVM
- Adjustable depth from 555 mm up to 935mm tread depth
- Chromed metal handle
- Practical knurled screws
- High graphic resolution, up to 1280 x 1024 with 60Hz DDC, DDC2 und DDC2B

Keyboard versions:

Available in following versions : German (DE), US-English (US), French (FR), Spanish (SP), Italian (IT), und Russian (RU).

Versions available on request : UK-English (UK), Danisch (DK), Swiss(CH), Thai (TH), Turkish (TK), Japanese(JP), Chinese (CI), Belgian (BE), norwegian (NO), portuguese (PT), french/kanadian (CA) and Israeli /Hebrew (IS) ,Swedish Finnish (SW) ,



Technical data:

Connections KVM	Graphic / Keyboard / Mouse	16 x RJ-45
	Console(remote)	1 x RJ-45 for PMC-300R
	Console (local)	1 x VGA/2 x USB-A
	Firmware	1 x USB-B
	Power supply	1 x DC-12V
Connection cable / Dongle (not included in the delivery)	VGA & 2 x PS2	Dongle-PS/2 V3
	VGA & 1 x USB	Dongle-USB V3
Switch	LCD settings	4 Pressure switch
	ON / OFF	1 Pressure switch
	OFF (LCD folded)	1 Semi-covert pressure switch
LED-Display panel	Operation	1 x green
	Number	1 x green
	Capital letters	1 x green
	Scroll	1 x green
LED-Display KVM	Port/Switch	16 green (Port)
Emulation	Keyboard/ Mouse	USB & PS/2
	Display	JA
Port selection	Hotkey / OSD	
Graphic	17" LCD	1280 x 1024
	Colors	16,2 Mio.
	Frame Rate	H: 31,0 KHz. – 81,0 KHz. V: 56,0 KHz. – 76,0 KHz.
	Viewing angle	H: 140° / V: 130°
	Bandwith	140 Mhz.
	Brightness	300 cd/m ²
	Contrast	700 : 1
	Reaktion time	4 ms.
	Pixel pitch	0,264mm (H) x 0,264mm (V)
	Backlight	LED
Input values	100 V. – 240 V. AC, 48 Hz – 62 Hz	
Output values	DC 12V., 4,16A	
Power consumption	230 V / 14,6 Watt	
Certification	RoHS, RoHS2, CE	
Environment	Operating temperature	0 – 40°C
	Storage temperature	-20 – 60°C
	Humidity	0 – 80% relative humidity (non condensing)
Physical properties	Casing	High performance steel
	Color	RAL 9005
	Weight	12,9 kg incl. angles
	Dimension (L x W x H) without handle	56,00 x 43,6 x 4,4cm (19" / 1U)
	Dimension (L x W x H) with handle	60,30 x 43,6 x 4,4cm (19" / 1U)
Packaging	Weight	17,1 kg
	Dimension (L x W x H)	77,5 x 58 x 21 cm

EM-1617IP

- 17" LCD Monitor with LED Backlight
- 16 Port CAT.5 KVM with IP module
- Depth 580 mm only



The EM-,1617IP is a 17" LED-Monitor, Keyboard-Drawer with LED Backlight, value keyboard with number block and touchpad. Integrated. 16 Port CAT.5KVM with IP module complete the external design. The casing conforms the 1U Standard, easily installed and mountable with the included mounting kit.

Two consoles and IP access for easy server management from different locations

Up to 3 user stations (1x locally, 1x "shared" on IP and 1 x "shared" with "optional" Receiver 1: 1 through CAT cable)

Selection of various administration options.

All operating options show the identical image in "competing" service

Properties:

- 1U 17" LCD console, 580mm deep
- Stepless, adjustable angle from 0 to 105° over high quality and unique torque hinges
- Easy one man assembly with the provided angles
- Integrated 16 Port CAT.5 KVM with IP module
- Adjustable depth from 575 mm up to 955 mm tread depth
- Chromed metal handle
- Practical knurled screws
- High graphic resolution, up to 1280 x 1024 with 60Hz DDC, DDC2 und DDC2B

Keyboard versions:

Lagernd sind die folgenden Varianten, deutsch (DE), us-englisch (US), französisch (FR), spanisch (SP), italienisch (IT) und russisch (RU).

Available in following versions : German (DE), US-English (US), French (FR), Spanish (SP), Italian (IT), und Russian (RU).

Versions available on request : UK-English (UK), Danisch (DK), Swiss(CH), Thai (TH), Turkish (TK), Japanese(JP), Chinese (CI), Belgian (BE), norwegian (NO), portuguese (PT), french/kanadian (CA) and Israeli /Hebrew (IS).



Specifications:

- CAT x cabling for up to 30m distance connection
- Administration access from different locations
- Tree-chainable up to 16 PMC KVM-Switches as a slaves
- On-Screen-Display and system notifications as a Pop-Up
- Upgradable Firmware
- "Remote" User-Management with dedicated-assignment and visibility of the respective user assigned server (user groups).
The IP Extender can work without ActiveX and even without Java extremely fast over a supplied Win32 client viewer software.
- Access via the platform-independent and fast Java viewer for all operating systems -
- "remote" in both viewers and the German "AltGr" and support also the special characters | @ € ~ ..etc
- The Viewer can be easily downloaded from the web interface
- Suitable for any PC / Server with PS / 2 and / or USB
- Port capacity is scalable up to 256 PCs through Tree-chaining with PMC models
- Computer selection through keyboard-Hotkeys and OSD-Menu
- additional console port (competing)
- With an additional (optional) Receiver PMC-300R can reflect the control panel and through a 1: 1 Cat.x cable connection
- Support DOS, Windows 95/98/SE/2000/XP/Vista/Server 2003/Server 2008 and Windows 7 / 9, Linux, MacOS, etc.
- Numeric LED-Status displays to a clearly display of the port status
- Buzzer sound confirm the hotkey and port circuit (de-activated)
- Autoscan dwell time of 5 ~ 95 seconds for OSD programmable
- Password protection
- Auto-Logout Timeout-Support

Technical data:

Connections KVM	Graphic / Keyboard / Mouse	16 x RJ-45
	Console(remote)	1 x RJ-45 for PMC-300R
	Console (local)	1 x VGA/2 x USB-A
	Firmware	1 x USB-B
	Power supply	1 x DC-12V
IP module	Remote	1 x RJ-45
	Serial	1 x RJ -11 (devices) 1 x RJ-11 (Hyper Terminal)
Connection cable / Dongle (not included in the delivery)	VGA & 2 x PS2	Dongle-PS/2 V3
	VGA & 1 x USB	Dongle-USB V3
Switch	LCD settings	4 Pressure switch
	ON / OFF	1 Pressure switch
	OFF (LCD folded)	1 Semi-covert pressure switch
LED-Display panel	Operation	1 x green
	Number	1 x green
	Capital letters	1 x green
	Scroll	1 x green
LED-Display KVM	Port/Switch	16 green (Port)
Emulation	Keyboard/ Mouse	USB & PS/2
	Display	Yes
Port Selection	Hotkey / OSD	
Graphic	17" LCD	1280 x 1024
	Colors	16,2 Mio.
	Frame Rate	H: 31,0 KHz. – 81,0 KHz. V: 56,0 KHz. – 76,0 KHz.
	Viewing angle	H: 140° / V: 130°
	Bandwith	140 Mhz.
	Brightness	300 cd/m ²
	Contrast	700 : 1
	Reaktion time	4 ms.
	Pixel pitch	0,264mm (H) x 0,264mm (V)
	Backlight	LED
Input values	100 V. – 240 V. AC, 48 Hz – 62 Hz	
Output values	DC 12V., 4,16A	
Power consumption	230 V / 23,0 Watt	
Certification	RoHS, RoHS2, CE	
Environment	Operating temperature	0 – 40°C
	Storage temperature	-20 – 60°C
	Humidity	0 – 80% relative humidity (non condensing)
Physical properties	Casing	High performance steel
	Color	RAL 9005
	Weight	12,9 kg incl. angles
	Dimension (L x W x H) without handle	58,00 x 43,6 x 4,4cm (19" / 1U)
	Dimension (L x W x H) with handle	62,30x 43,6 x 4,4cm (19" / 1U)
Packaging	Weight	17,1 kg
	Dimension (L x W x H)	77,5 x 58 x 21 cm

AW-1701HD

- 17,3" FULL HD LCD Monitor with LED Backlight
- DVI and VGA Input
- 3 front USB
- Depth 640 mm only



AW-1701HD is a 17,3" FULL HD /LCD-Monitor, Keyboard-Drawer with LED Backlight. The new Equipement ensure a brilliant HD images and Monitoring to unprecedented quality. AW-1701HD-set a new standard in picture quality, inside the server room a value keyboard with number block and touchpad . Integrated DVI and VGA Input and 3 Front USB connector complete the external design. The casing conforms the 1U Standard, easily installed and mountable with the included mounting kit.

Properties :

- 1U 17,3" LCD console , 640mm deep
- Stepless,adjustable angle from 0 to 105° over high quality unique torque hinges
- Easy one man assembly with the angles as provided by the console
- Adjustable depth from 640 mm up to 1140 mm tread depth
- Chromed metal handle
- Practical knurled screws
- Integrated DVI and VGA Input
- 3 Front USB
- High graphic resolution, up to 1920 x 1080 with 60Hz DDC, DDC2 und DDC2B

Keyboard versions :

Available in following versions : German (DE), US-English (US), French (FR), Spanish (SP), Italian (IT), und Russian (RU).

Versions available on request : UK-English (UK), Danisch (DK), Swiss(CH), Thai (TH), Turkish (TK), Japanese(JP), Chinese (CI), Belgian (BE), norwegian (NO), portuguese (PT), french/kanadian (CA) and Israeli /Hebrew (IS) ,Swedish Finnish (SW) ,

Trackball version is possible , in combination with a [Cherry G84-4400](#) Trackball Keyboard.

Specifications :

- DVI-Graphic Card ensures always a proper resolution even if the background needs to be rebooted
- Integrated 3 Port-front USB2.0 device-Hub for shared use of USB2.0 und USB1.1 terminal device (for another Mouse, Scanner, Printer, Cameras, USB-Storage medium, ...) to all PCs
- Independant/Shared change of USB2.0 device , ON/OFF-switchable audible signal
- OSD Menu in the following langagues adjustable German, English Spanish, Italian , French, Portuguese, Korean, Cyrillic, Japanese, trad. Chinese, mod. Chinese
- Supports all USB suitable operationg systems: for exemple Win98SE / 2000 / 2003... / ME / XP / Vista / Server 2008 /Windows 7, Windows 8 Windows 8.1 and the following versions LINUX, ...
- Compatible with MAC G3/G4, MACmini and iMAC. It works with Mac OS X 10.4.10 (and other systems)

Technical data:

Connections	Graphic	1 x DVI-I 1 x VGA
	Keyboard / Mouse	2 X USB-Typ-A
	External (Hub)	3 x USB 2,0 (Type-A)
	Power supply	1 x C13 IEC socket
Connection cable (included)	Graphic	1 x DVI-D (1,8m) 1 x VGA (1,8m)
	Keyboard / Mouse / Hub	2 x USB A-A
Switch	LCD settings	4 Pressure switch
	ON / OFF	1 Pressure switch
	OFF (LCD folded)	1 Semi-covert pressure switch
LED-Display panel	Operation	1 x green
	Number	1 x green
	Capital letters	1 x green
	Scroll	1 x green
Emulation	Keyboard/ Mouse	Yes (HID with USB1.1
	Display	Yes(A.S.R.)
Graphic	17,3" LCD	1920 x 1080 (DVI Single Link)
	Colors	16,2 Mio.
	Frame Rate	H: 31,0 KHz. – 81,0 KHz. V: 56,0 KHz. – 76,0 KHz.
	Viewing angle	H: 140° / V: 130°
	Bandwith	140 Mhz.
	Brightness	300 cd/m ²
	Contrast	700 : 1
	Reaktion time	4 ms.
	Pixel pitch	0,264mm (H) x 0,264mm (V)
	Backlight	LED
Input values	100 V. – 240 V. AC, 48 Hz – 62 Hz	
Output values	DC 12V., 4,16A	
Power consumption	230 V / 18,8 Watt	
Certification	RoHS, RoHS2, CE	
Environment	Operating temperature	0 – 40°C
	Storage temperature	-20 – 60°C
	Humidity	0 – 80% relative humidity (non condensing)
Physical properties	Casing	High performance steel
	Color	RAL 9005
	Weight	12,9 kg incl. angles
	Dimension (L x W x H) without handle	64,00 x 43,6 x 4,4cm (19" / 1U)
	Dimension (L x W x H) with handle	67,80 x 43,6 x 4,4cm (19" / 1U)
Packaging	Weight	17,1 kg
	Dimension (L x W x H)	77,5 x 58 x 21 cm

AW-1708HD-DVI



- 17,3" FULL HD LCD Monitor with LED Backlight
- 8 Port DVI / USB KVM
- 3 front side USB



The NEW AW-1708HD-DVI is a 17,3" FULL HD /LCD-Monitor, Keyboard-Drawer with LED Backlight. The new Equipement ensure a brilliant HD images and Monitoring in unprecedented quality. The AW-1708HD-DVI set a new standard in picture quality, inside the server room a value keyboard with number block and touchpad is integrated. 8 Port DVI / USB KVM and 3 Front USB connector complete the external design. The casing conforms the 1U Standard, easily installed and mountable with the included mounting kit.

Properties:

- 1U 17,3" LCD console , 640mm deep
- Stepless,adjustable angle from 0 to 105° over high quality unique torque hinges
- Easy one man assembly with the angles as provided by the console
- Adjustable depth from 640 mm up to 1140 mm tread depth
- Chromed metal handle
- Practical knurled screws
- 3 Front USB
- Integrated 8 Port DVI / USB KVM
- High graphic resolution, up to 1920 x 1080 with 60Hz DDC, DDC2 und DDC2B

Keyboard versions:

Available in following versions : German (DE), US-English (US), French (FR), Spanish (SP), Italian (IT), und Russian (RU).

Versions available on request : UK-English (UK), Danisch (DK), Swiss(CH), Thai (TH), Turkish (TK), Japanese(JP), Chinese (CI), Belgian (BE), norwegian (NO), portuguese (PT), french/kanadian (CA) and Israeli /Hebrew (IS) ,Swedish Finnish (SW) ,

Trackball version is possible , in combination with a [Cherry G84-4400](#) Trackball Keyboard.

Specifications:

- DVI-Graphic Card ensures always a proper resolution even if the background needs to be rebooted
- DDC/EDID-reflection signal with Active Sync Replication (A.S.R) ensures a permanent (all Time) DDC-Emulation places the transmission of the monitor informations to all available Ports ,Allows the use of the original monitor driver of the monitor manufacturer and DVI-"boots" in the background
- Port-choice with the Select-Button or HotKeys (5 alternative keyboard shortcuts)
- Programmable Hotkey feature alternative Hotkey (Scroll, Cap, Esc, F12, Num)
- Integrated 3 Port-front USB2.0 device-Hub for shared use of USB2.0 und USB1.1 terminal device (another Mouse, Scanner, Printer, Cameras, USB-Storage medium, ...) to all PCs
- Independent/Shared change of USB2.0 device , ON/OFF-switchable audible signal
- LED Port/Status-Display with separate 2.0 Hub Display
- UHCI, OHCI USB Interface Support
- Independent or shareable USB2.0 Hub and PC-Port selection
- Permanent Keyboard /Mouse emulation for waiting times after the switch.
- Firmware over USB always up to date
- USB/Keyboard/Mouse emulation upgradable.
- Cascadable for 64 Servers
- Monitor OSD Menu in the following langagues adjustable German, English Spanish, Italian , French, Portuguese, Korean, Cyrillic, Japanese, trad. Chinese, mod. Chinese
- Supports all USB suitable operationg systems: for exemple Win98SE / 2000 / 2003... / ME / XP / Vista / Server 2008 /Windows 7, Windows 8 Windows 8.1 and the following versions LINUX, ...
- Compatible with MAC G3/G4, MACmini and iMAC. It works with Mac OS X 10.4.10 (and other systems)

Technical data:

Connections	Graphic	8 x DVI-I Socket (use only DVI-D cable)	
	Keyboard / Mouse	8 X USB-Typ-B	
	External	3 x USB 2,0 (switchable)	
	Power supply	1 x DC-12V	
Connection cable (not included in the delivery)	USB / DVI-cable	KAB-102DVI (1,8m)	
Switch	LCD settings	4 Pressure switch	
	ON / OFF	1 Pressure switch	
	OFF (LCD folded)	1 Semi-covert pressure switch	
LED-Display panel	Operation	1 x green	
	Number	1 x green	
	Capital letters	1 x green	
	Scroll	1 x green	
LED-Display KVM	Port/Switch	8 x green (Port)	
		8 x red (USB)	
Emulation	Keyboard/ Mouse	Yes (HID with USB1.1	
	Display	Yes(A.S.R.)	
Port selction	Hotkey /Key sequence of keyboard		
Graphic	17,3" LCD	1920 x 1080 (DVI Single Link)	
	Colors	16,2 Mio.	
	Frame Rate	H: 31,0 KHz. – 81,0 KHz. V: 56,0 KHz. – 76,0 KHz.	
	Viewing angle	H: 140° / V: 130°	
	Bandwith	140 Mhz.	
	Brightness	300 cd/m ²	
	Contrast	700 : 1	
	Reaktion time	4 ms.	
	Pixel pitch	0,264mm (H) x 0,264mm (V)	
	Backlight	LED	
	Input values	100 V. – 240 V. AC, 48 Hz – 62 Hz	
	Output values	DC 12V., 4,16A	
Power consumption	230 V / 18,8 Watt		
Certification	RoHS, RoHS2, CE		
Environment	Operating temperature	0 – 40°C	
	Storage temperature	-20 – 60°C	
	Humidity	0 – 80% relative humidity (non condensing)	
Physical properties	Casing	High performance steel	
	Color	RAL 9005	
	Weight	12,9 kg incl. angles	
	Dimension (L x W x H) without handle	64,00 x 48,2 x 4,4cm (19" / 1U)	
	Dimension (L x W x H) with handle	68,3 x 48,2 x 4,4cm (19" / 1U)	
Packaging	Weight	17,1 kg	
	Dimension (L x W x H)	77,5 x 58 x 21 cm	

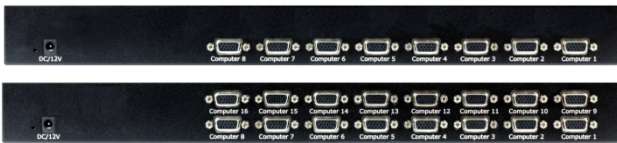
AW-1708HD / AW-1716HD



- 17,3" FULL HD LCD monitor
- 8 / 16 Port KVM
- 3 front USB connectors



The NEW AW-1708HD is a 17,3" FULL HD /LCD-Monitor, Keyboard-Drawer with LED Backlight. The new Equipement ensure a brilliant HD images and Monitoring in unprecedented quality. The AW-1708HD set a new standard in picture quality, inside the server room a value keyboard with number block and touchpad is integrated. 8/16 Port / USB / PS2 KVM and 3 Front USB connectors complete the external design. The casing conforms the 1U Standard, easily installed and mountable with the included mounting kit.



Properties :

- 1U 17,3" LCD console , 640mm deep
- Stepless,adjustable angle from 0 to 105° over high quality unique torque hinges
- Easy one man assembly with the angles as provided by the console
- Adjustable depth from 640 mm up to 1140 mm tread depth
- Chromed metal handle
- Practical knurled screws
- 3 front USB
- Integrated 8 /16 Port USB/PS2 KVM
- High graphic resolution, up to 1920 x 1080 with 60Hz DDC, DDC2 und DDC2B

Keyboard versions :

Available in following versions : German (DE), US-English (US), French (FR), Spanish (SP), Italian (IT), und Russian (RU).

Versions available on request : UK-English (UK), Danisch (DK), Swiss(CH), Thai (TH), Turkish (TK), Japanese(JP), Chinese (CI), Belgian (BE), norwegian (NO), portuguese (PT), french/kanadian (CA) and Israeli /Hebrew (IS) ,Swedish Finnish (SW) ,

Trackball version is possible , in combination with a [Cherry G84-4400](#) Trackball Keyboard.

Specifications :

- 8 / 16 Port Tree-chainable Rackmount USB PS/2 KVM-Switch with OSD
- Almost the only KVM switch that reflects the monitor identifiers (DDC / EDID) and provide all ports permanently to the computers ,therefore the computer can be rebooted at any time with a correct and always displayed resolution
- Full-time DDC Support = Monitor-Emulation = each server is the permanent faked "original" to the KVM switch connected display and thus there are no problems with boots in background
- Tree-chainable zum for the next Level until 8 KVM-TU8 KVM-Switches
- Tree-chaining distance until 5 meter
- Port capacity ist scalable until 64/256 PCs overTree-chaining with TU-Models
- Integrated 3-port USB2.0 hub devices on the console front for sharing USB2.0 and USB1.1 devices (lfor another mouse, scanners, printers, cameras, USB storage devices, ...)
- USB and PS/2 Interface support for both sides- console und PC side
- Computer choice over Push-Buttons, Keyboard-Hotkeys und OSD-Menu
- Support DOS, Windows 95/98/SE/2000/XP/Vista/Server 2003/Server 2008 und Windows 7 / 9, Linux, MacOS, and more
- Numeric LED-Status displays to a clearly display of the port status
- Perfect keyboard / mouse emulation for a safe function on all computers and operating systems
- Pro-Port Controller to keep the function of keyboard and mouse in case of error , if the KVM switch didn't receives a external power
- Advanced PS / 2 mouse reset hotkeys for non-PnP OS , WinNT 4.0 and Linux
- Buzzer sound confirm the hotkey and port circuit (de-activated)
- Autoscan dwell time of 5 ~ 95 seconds for OSD programmable
- Password protection Auto-Logout Timeout-Support
- Firmware/Software upgradable

Technical data:

Connections KVM	Graphic / Keyboard / Mouse	8 / 16 HDDB-15
	External (HUB)	3 X USB-Typ-A
	Power supply	1 x DC-12V
Connection cable (not included in the delivery)	USB / PS2/VGA combo	KAB-102-4 (1,8m), KAB-103-4 (3,0m) KAB-105-4(5,0m)
	USB / VGA	KAB-102U-1 (1,8m)
Switch	LCD settings	4 Pressure switch
	ON / OFF	1 Pressure switch
	OFF (LCD folded)	1 Semi-covert pressure switch
LED-Display panel	Operation	1 x green
	Number	1 x green
	Capital letters	1 x green
	Scroll	1 x green
LED-Display KVM	Port/Switch	8 / 16 x green (Port) 8 / 16 x red (USB)
Emulation	Keyboard/ Mouse	USB & PS/2
	Display	Yes
Graphic	17" LCD	1920 x 1080
	Colors	16,2 Mio.
	Frame Rate	H: 31,0 KHz. – 81,0 KHz. V: 56,0 KHz. – 76,0 KHz.
	Viewing angle	H: 140° / V: 130°
	Bandwith	140 Mhz.
	Brightness	300 cd/m ²
	Contrast	700 : 1
	Reaktion time	4 ms.
	Pixel pitch	0,264mm (H) x 0,264mm (V)
	Backlight	LED
Input values	100 V. – 240 V. AC, 48 Hz – 62 Hz	
Output values	DC 12V., 4,16A	
Power consumption	230 V / 14,6 Watt	
Certification	RoHS, RoHS2, CE	
Environment	Operating temperature	0 – 40°C
	Storage temperature	-20 – 60°C
	Humidity	0 – 80% relative humidity (non condensing)
Physical properties	Casing	High performance steel
	Color	RAL 9005
	Weight	12,9 kg incl. angles
	Dimension (L x W x H) without handle	64,00 x 43,6 x 4,4cm (19" / 1U)
	Dimension (L x W x H) with handle	68,20 x 43,6 x 4,4cm (19" / 1U)
Packaging	Weight	17,1 kg
	Dimension (L x W x H)	77,5 x 58 x 21 cm

AW-1716HD-K5



- 17,3" FULL HD LCD monitor
- 16 Port CAT.5 KVM



AW-1716 HD-K5 is a Full HD 17,3" Monitor, Keyboard-Drawer with LED Backlight. a value keyboard with number block and touchpad integrated 16 Port CAT.5KVM. The new Equipement ensure a brilliant HD images and Monitoring in unprecedented quality .The casing conforms the 1U Standard, easily installed and mountable with the included mounting kit. The integrated elescopic dual-rail ensures the separate pull of keyboard and monitor .

Specifications :

Properties :

- 1U 17,3" LCD console , 640mm deep
- Stepless,adjustable angle from 0 to 105° over high quality and unique torque hinges
- Easy one man assembly with the provided angles
- Integrated16 port CAT.5KVM
- Adjustable depth from 640 mm up to 1140 mm tread depth
- Chromed metal handle
- Practical knurled screws
- High graphic resolution, up to 1920x 1080 with 60Hz DDC, DDC2 und DDC2B

Keyboard versions:

Available in following versions : German (DE), US-English (US), French (FR), Spanish (SP), Italian (IT), und Russian (RU).

Versions available on request : UK-English (UK), Danisch (DK), Swiss(CH), Thai (TH), Turkish (TK), Japanese(JP), Chinese (CI), Belgian (BE), norwegian (NO), portuguese (PT), french/kanadian (CA) and Israeli /Hebrew (IS) ,Swedish Finnish (SW) ,

Trackball version is possible , in combination with a [Cherry G84-4400](#) Trackball Keyboard.

- Tree-chainable for next Level up to16 KVM-0116PMC Switches
- Tree-chaining distance up to 5 meter
- Port capacity is scalable up to 256 PCs through Tree-chaining with PMC Models
- Computer-Selection through Keyboard -Hotkeys and OSD-Menu
- On-Screen-Display und system notification as a Pop-Up
- Additional console port (competing)
- With an additional (optional) receiver PMC-300R can reflect the control panel and through 1: 1 Cat.x cable connection
- Support DOS, Windows 95/98/SE/2000/XP/Vista/Server 2003/Server 2008 und Windows 7 / 9, Linux, MacOS, etc.
- Numeric LED-Status displays to a clearly display of the port status Buzzer sound confirm the hotkey and port circuit (de-activated)
- Autoscan dwell time of 5 ~ 95 seconds for OSD programmable
- Password protection Auto-Logout Timeout-Support
- Firmware/Software upgradable
- Auto-Logout Timeout-Support

Technical data:

Connections KVM	Graphic / Keyboard / Mouse	16 x RJ-45
	Console(remote)	1 x RJ-45 for PMC-300R
	Console (local)	1 x VGA/2 x USB-A
	Firmware	1 x USB-B
	Power supply	1 x DC-12V
Connection cable / Dongle (not included in the delivery)	VGA & 2 x PS2	Dongle-PS/2 V3
	VGA & 1 x USB	Dongle-USB V3
Switch	LCD settings	4 Pressure switch
	ON / OFF	1 Pressure switch
	OFF (LCD folded)	1 Semi-covert pressure switch
LED-Display panel	Operation	1 x green
	Number	1 x green
	Capital letters	1 x green
	Scroll	1 x green
LED-Display KVM	Port/Switch	16 green (Port)
Emulation	Keyboard/ Mouse	USB & PS/2
Graphic	17,3" LCD	1920 x 1080
	Colors	16,2 Mio.
	Frame Rate	H: 31,0 KHz. – 81,0 KHz. V: 56,0 KHz. – 76,0 KHz.
	Viewing angle	H: 140° / V: 130°
	Bandwith	140 Mhz.
	Brightness	300 cd/m ²
	Contrast	700 : 1
	Reaktion time	4 ms.
	Pixel pitch	0,264mm (H) x 0,264mm (V)
	Backlight	LED
Input values	100 V. – 240 V. AC, 48 Hz – 62 Hz	
Output values	DC 12V., 4,16A	
Power consumption	230 V / 14,6 Watt	
Certification	RoHS, RoHS2, CE	
Environment	Operating temperature	0 – 40°C
	Storage temperature	-20 – 60°C
	Humidity	0 – 80% relative humidity (non condensing)
Physical properties	Casing	High performance steel
	Color	RAL 9005
	Weight	12,9 kg incl. angles
	Dimension (L x W x H) without handle	64,00 x 43,6 x 4,4cm (19" / 1U)
	Dimension (L x W x H) with handle	67,80 x 43,6 x 4,4cm (19" / 1U)
Packaging	Weight	17,1 kg
	Dimension (L x W x H)	77,5 x 58 x 21 cm

AW-1901



- 19" LCD monitor with LED Backlight
- Easy one man Installation
- 3 Port USB 2.0 Hub
- Depth 640mm only



AW-1901 is a 19" Monitor, Keyboard-Drawer with LED Backlight value keyboard with a number block, touchpad and 3 front USB complete the external design. The casing conforms the 1U Standard, easily installed and mountable with the included mounting kit.

Specifications :

- Practical DB-15 connector, combined with our cable KAB-102-4 (1 x VGA 2 x PS/2 and 1 x USB)
- Compatible with most PS / 2 KVM and USB KVM switches
- Integrated front 3-port USB2.0 hub devices for sharing of USB2.0 and USB1.1 devices (to use another mouse, scanners, printers, cameras, USB storage devices, ...)
- OSD Menu in the following languages adjustable German, English Spanish, Italian, French, Portuguese, Korean, Cyrillic, Japanese, trad. Chinese, mod. Chinese
- Support friendly external power supply
- Support DOS, Windows 95/98/SE/2000/XP/Vista/Server 2003/Server 2008 and Windows 7, Windows 8, Windows 8.1, Linux, MacOS, etc.
- Perfect keyboard / mouse emulation for safe function on all computers and operating systems

Properties :

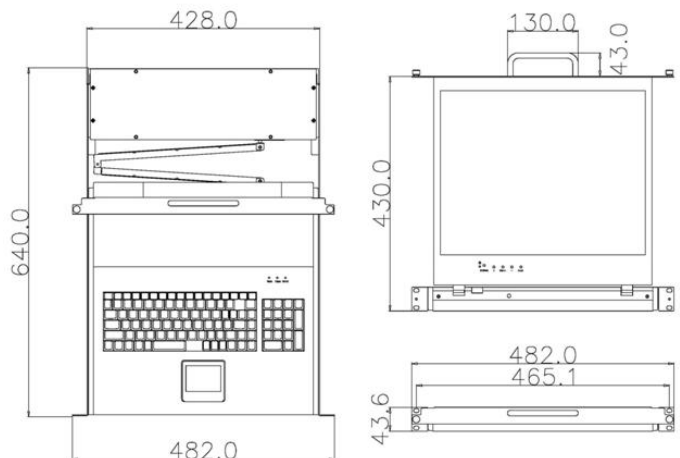
- 1U 19" LCD console, 640mm deep
- Stepless, adjustable angle from 0 to 105° over high quality and unique torque hinges
- Easy one man assembly with the provided angles
- 3 front USB
- Adjustable depth from 600 mm up to 1130 mm tread depth
- Chromed metal handle
- Practical knurled screws
- High graphic resolution, up to 1280 x 1024 with 60Hz DDC, DDC2 und DDC2B

Keyboard versions :

Available in following versions: German (DE), US-English (US), French (FR), Spanish (SP), Italian (IT), Swiss(CH), Swedish Finnish (SW) und Russian (RU).

Versions available on request: UK-English (UK), Danisch (DK), Thai (TH), Turkish (TK), Japanese(JP), Chinese (CI), Belgian (BE), norwegian (NO), portuguese (PT), french/kanadian (CA) and Israeli /Hebrew (IS).

Trackball version is possible, in combination with a Cherry G84-4400 Trackball keyboard.



Technical data:

Connections KVM	Graphic / Keyboard / Mouse	1 x HDDB-15
	USB HUB	1 x USB 2.0 Typ-A
	External (Front-HUB)	3 x USB 2.0 Typ-A
	Power supply	1 x C13 IEC socket
Connection cable (included)	USB / PS/2 / VGA Combo	KAB-102-4 (1,8m)
Optional Connection cable	USB / PS/2 / VGA Combo	KAB-103-4 (3,0m), KAB-105-4 (5,0m)
Switch	LCD settings	4 Pressure switch
	ON / OFF	1 Pressure switch
	OFF (LCD folded)	1 Semi-covert pressure switch
LED-Display panel	Operation	1 x green
	Number	1 x green
	Capital letters	1 x green
	Scroll	1 x green
Emulation	Keyboard/ Mouse	USB & PS/2
	Display	Yes
Graphic	19" LCD	1280 x 1024
	Colors	16,2 Mio.
	Frame Rate	H: 31,0 KHz. – 82,0 KHz. V: 60,0 KHz. – 75,0 KHz.
	Viewing angle	H: 140° / V: 130°
	Bandwith	140 Mhz.
	Brightness	300 cd/m ²
	Contrast	700 : 1
	Reaktion time	4 ms.
	Pixel pitch	0,264mm (H) x 0,264mm (V)
	Backlight	LED
Input values	100 V. – 240 V. AC, 48 Hz – 62 Hz	
Output values	DC 12V., 4,16A	
Power consumption	230 V / 19,6 Watt	
Certification	RoHS, RoHS2, CE	
Environment	Operating temperature	0 – 40°C
	Storage temperature	-20 – 60°C
	Humidity	0 – 80% relative humidity (non condensing)
Physical properties	Casing	High performance steel
	Color	RAL 9005
	Weight	12,9 kg incl. angles
	Dimension (L x W x H) without handle	64,00 x 43,6 x 4,4cm (19" / 1U)
	Dimension (L x W x H) with handle	67,80x 43,6 x 4,4cm (19" / 1U)
Packaging	Weight	17,1 kg
	Dimension (L x W x H)	77,5 x 58 x 21 cm

AW-1901-DVI



- 19" LCD Monitor with LED Backlight
- DVI and VGA Input
- 3 Port USB 2.0 Hub
- Depth 640mm only



AW-1901-DVI is a 19" Monitor, Keyboard-Drawer with LED Backlight value keyboard with a number block, touchpad, DVI and VGA Input and 3 front USB complete the external design. The casing conforms the 1U Standard, easily installed and mountable with the included mounting kit.

Specifications :

Properties :

- 1U 19" LCD console, 640mm deep
- Stepless, adjustable angle from 0 to 105° over high quality and unique torque hinges
- Easy one man assembly with the provided angles
- DVI and VGA Input
- 3 front 2.0 USB
- Adjustable depth from 600 mm up to 1130 mm tread depth
- Chromed metal handle
- Practical knurled screws
- High graphic resolution, up to 1280 x 1024 with 60Hz DDC, DDC2 and DDC2B

Keyboard versions :

Available in following versions: German (DE), US-English (US), French (FR), Spanish (SP), Italian (IT), Swiss(CH), Swedish Finnish (SW) und Russian (RU).

Versions available on request: UK-English (UK), Danisch (DK), Thai (TH), Turkish (TK), Japanese(JP), Chinese (CI), Belgian (BE), norwegian (NO), portuguese (PT), french/kanadian (CA) and Israeli /Hebrew (IS).

Trackball version is possible, in combination with a Cherry G84-4400 Trackball keyboard.

- DVI-I and VGA Input, USB for Keyboard and Touchpad
- Compatible with most PS / 2 KVM and USB KVM switches
- Integrated front 3-port USB2.0 hub devices for sharing of USB2.0 and USB1.1 devices (to use another mouse, scanners, printers, cameras, USB storage devices, ...)
- OSD Menu in the following languages adjustable German, English Spanish, Italian, French, Portuguese, Korean, Cyrillic, Japanese, trad. Chinese, mod. Chinese
- Support friendly external power supply
- Support DOS, Windows 95/98/SE/2000/XP/Vista/Server 2003/Server 2008 and Windows 7 / 9, Linux, MacOS, etc.
- Perfect keyboard / mouse emulation for safe function on all computers and operating systems

Technical data:

Connections	Graphic	1 x DVI-I 1 x VGA
	Keyboard / Mouse	2 X USB-Typ-A
	External (Hub)	3 x USB 2,0 (Type-A)
	Power supply	1 x C13 IEC socket
Connection cable (included in the delivery)	Graphic	1 x DVI-D, 1 x VGA(1,8m)
	Keyboard/Mouse	2 x USB-A for A (1,8m)
Switch	LCD settings	4 Pressure switch
	ON / OFF	1 Pressure switch
	OFF (LCD folded)	1 Semi-covert pressure switch
LED-Display panel	Operation	1 x green
	Number	1 x green
	Capital letters	1 x green
	Scroll	1 x green
Emulation	Keyboard/ Mouse	USB and PS/2
	Display	Yes
Graphic	19" LCD	1280 x 1024 (DVI Single Link)
	Colors	16,2 Mio.
	Frame Rate	H: 31,0 KHz. – 82,0 KHz. V: 60,0 KHz. – 75,0 KHz.
	Viewing angle	H: 140° / V: 130°
	Bandwith	140 Mhz.
	Brightness	300 cd/m ²
	Contrast	700 : 1
	Reaktion time	4 ms.
	Pixel pitch	0,264mm (H) x 0,264mm (V)
	Backlight	LED
Input values	100 V. – 240 V. AC, 48 Hz – 62 Hz	
Output values	DC 12V., 4,16A	
Power consumption	230 V / 18,8 Watt	
Certification	RoHS, RoHS2, CE	
Environment	Operating temperature	0 – 40°C
	Storage temperature	-20 – 60°C
	Humidity	0 – 80% relative humidity (non condensing)
Physical properties	Casing	High performance steel
	Color	RAL 9005
	Weight	14,9 kg incl. angles
	Dimension (L x W x H) without handle	64,00 x 43,6 x 4,4cm (19" / 1U)
	Dimension (L x W x H) with handle	67 ,80 x 43,6 x 4,4cm (19" / 1U)
Packaging	Weight	17,1 kg
	Dimension (L x W x H)	77,5 x 58 x 21 cm

AW-1908-DVI



- 19 LCD Monitor with LED Backlight
- 8 Port DVI / USB KVM
- 3 switchable front USB



AW-1908-DVI is a 19" HD /LCD-Monitor, Keyboard-Drawer with LED Backlight. a value Keyboard with number block and touchpad .Integrated 8 Port DVI / USB KVM and 3 Front USB connector complete the external design. The casing conforms the 1U Standard, easily installed and mountable with the included mounting kit.

Specifications :

- DVI-Graphic Card ensures always a proper resolution even if the background needs to be rebooted
- DDC/EDID-reflection signal with Active Sync Replication (A.S.R) ensures a permanent (all Time) DDC-Emulation places the transmission of the monitor informations to all available Ports ,Allows the use of the original monitor driver of the monitor manufacturer and DVI-"boots" in the background
- Port-choice with the Select-Button or HotKeys (5 alternative keyboard shortcuts)
- Programmable Hotkey feature alternative Hotkey (Scroll, Cap, Esc, F12, Num)
- Integrated 3 Port-front USB2.0 device-Hub for shared use of USB2.0 and USB1.1 terminal device (another Mouse, Scanner, Printer, Cameras, USB-Storage medium, ...) to all PCs
- Independant/Shared change of USB2.0 device , ON/OFF-switchable audible signal
- LED Port/Status-Display with separate 2.0 Hub Display
- UHCI, OHCI USB Interface Support
- Independant or shareable USB2.0 Hub and PC-Port selection
- Permanent Keyboard /Mouse emulation for waiting times after the switch.
- Firmware over USB always up to date
- USB/Keyboard/Mouse emulation upgradable.
- Cascadable for 64 Servers
- OSD Menu in the following langagues adjustable German, English Spanish, Italian , French, Portuguese, Korean, Cyrillic, Japanese, trad. Chinese, mod. Chinese
- Supports all USB suitable operationg systems: for exemple Win98SE / 2000 / 2003... / ME / XP / Vista / Server 2008 / Windows 7, Windows 8, Windows 8.1 and the following versions LINUX, ...
- Compatible with MAC G3/G4, MACmini and iMAC. It works with Mac OS X 10.4.10 (and other systems)

Properties :

- 1U 19" LCD console , 640mm deep
- Stepless,adjustable angle from 0 to 105° over high quality unique torque hinges
- Easy one man assembly with the angles as provided by the console
- Adjustable depth from 600 mm up to 1130 mm tread depth
- Chromed metal handle
- Practical knurled screws
- 3 Front USB
- Integrated 8 Port DVI / USB KVM
- High graphic resolution, up to 1920 x 1080 with 60Hz DDC, DDC2 und DDC2B

Keyboard versions :

Available in following versions: German (DE), US-English (US), French (FR), Spanish (SP), Italian (IT), Swiss(CH), Swedish Finnish (SW) und Russian (RU).

Versions available on request: UK-English (UK), Danisch (DK), Thai (TH), Turkish (TK), Japanese(JP), Chinese (CI), Belgian (BE), norwegian (NO), portuguese (PT), french/kanadian (CA) and Israeli /Hebrew (IS).

Trackball version is possible , in combination with a Cherry G84-4400 Trackball keyboard.

Technical data:

Connections	Graphic	8 x DVI-I Socket (use only DVI-D cable)	
	Keyboard / Mouse	8 X USB-Typ-B	
	External	3 x USB 2,0 (switchable)	
	Power supply	1 x DC-12V	
Connection cable (not included in the delivery)	USB / DVI-cable	KAB-102DVI (1,8m)	
Switch	LCD settings	4 Pressure switch	
	ON / OFF	1 Pressure switch	
	OFF (LCD folded)	1 Semi-covert pressure switch	
LED-Display panel	Operation	1 x green	
	Number	1 x green	
	Capital letters	1 x green	
	Scroll	1 x green	
LED-Display KVM	Port/Switch	8 x green (Port)	
		8 x red (USB)	
Emulation	Keyboard/ Mouse	Yes (HID with USB1.1	
	Display	Yes(A.S.R.)	
Port selction	Hotkey /Key sequence of keyboard		
Graphic	19" LCD	1280 x 1024 (DVI Single Link)	
	Colors	16,2 Mio.	
	Frame Rate	H: 31,0 KHz. – 81,0 KHz. V: 56,0 KHz. – 76,0 KHz.	
	Viewing angle	H: 140° / V: 130°	
	Bandwith	140 Mhz.	
	Brightness	300 cd/m ²	
	Contrast	700 : 1	
	Reaktion time	4 ms.	
	Pixel pitch	0,264mm (H) x 0,264mm (V)	
	Backlight	LED	
	Input values	100 V. – 240 V. AC, 48 Hz – 62 Hz	
	Output values	DC 12V., 4,16A	
Power consumption	230 V / 18,8 Watt		
Certification	RoHS, RoHS2, CE		
Environment	Operating temperature	0 – 40°C	
	Storage temperature	-20 – 60°C	
	Humidity	0 – 80% relative humidity (non condensing)	
Physical properties	Casing	High performance steel	
	Color	RAL 9005	
	Weight	12,9 kg incl. angles	
	Dimension (L x W x H) without handle	64,00 x 48,2 x 4,4cm (19" / 1U)	
	Dimension (L x W x H) with handle	68,3 x 48,2 x 4,4cm (19" / 1U)	
Packaging	Weight	17,1 kg	
	Dimension (L x W x H)	77,5 x 58 x 21 cm	

AW-1908TU / AW-1916TU

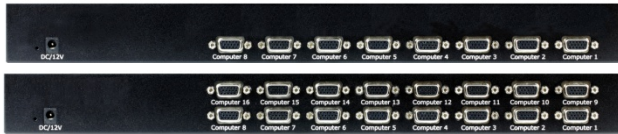


- 19" LCD Monitor with LED Backlight
- 8 / 16 Port USB / PS/2 KVM
- 3 Port USB 2.0 Hub
- Depth 640mm only



The AW-1908 TU / AW-1916 TU is a 19" LED-Monitor, Keyboard-Drawer with LED Backlight, value keyboard with number block and Touchpad . integrated. 8 /16 Port USB/PS/2 KVM and 3 USB front USB complete the external design. The casing conforms the 1U Standard, easily installed and mountable with the included mounting kit.

Specifications :



Properties :

- 1U 19" LCD console , 640 mm deep
- Stepless,adjustable angle from 0 to 105° over high quality unique connecting adapter
- Easy one man assembly with the angles as provided by the console
- Adjustable depth from 600mm up to 1130 mm tread depth
- Chromed metal handle
- Practical knurled screws
- Integrated 8 / 16 Port USB/ PS/2 KVM
- Integrated 3 front USB 2.0
- High graphic resolution, up to 1280 x 1024 with 60Hz DDC,
- DDC2 und DDC2B

Keyboard versions :

Available in following versions: German (DE), US-English (US), French (FR), Spanish (SP), Italian (IT), Swiss(CH), Swedish Finnish (SW) und Russian (RU).

Versions available on request: UK-English (UK), Danisch (DK), Thai (TH), Turkish (TK), Japanese(JP), Chinese (CI), Belgian (BE), norwegian (NO), portuguese (PT), french/kanadian (CA) and Israeli /Hebrew (IS).

Trackball version is possible , in combination with a Cherry G84-4400 Trackball keyboard.

- 8 / 16 Port Tree-chainable Rackmount USB PS/2 KVM-Switch with OSD
- Almost the only KVM switch that reflects the monitor identifiers (DDC / EDID to all ports permanently and the computer can reboot at any time and the resolution is still always displayed correctly
- Full-time DDC Support = Monitor-Emulation = every server is the "original" permanent faked connected display to the KVM switch to avoid problems with boots in background.
- Tree-chainable for the next Level until 8 KVM-TU8 KVM-Switches
- Tree-chaining Distance until 5 meter
- Port capacity is scalable up to 64/256 PCs over Tree-chaining with TU-models
- USB and PS / 2 interface support on both sides - console and PC side
- Computer selection via push buttons, keyboard hotkeys and OSD menu
- Supports DOS, Window 95/98/SE / 2000 / 2003... / ME / XP / Vista / Server 2008 / Windows 7, Windows 8, Windows 8.1 and the following versions LINUX, MacOS...etc
- Compatible with MAC G3/G4, MACmini and iMAC. It works with Mac OS X 10.4.10 (and other systems)
- Numeric LED status indicators for clear display of port status
- Permanent Keyboard /Mouse emulation for safe function on all computers and operating systems
- Pro-port controller to maintain the keyboard and mouse by error unless the KVM switch receives no external power
- Advanced PS / 2 mouse reset hotkeys for non-PnP OS ,WinNT 4.0 and Linux
- Buzzer sound acknowledges the hotkey and port circuit (de-activated)
- Autoscan dwell time of 5 ~ 95 seconds for OSD programmable
- Password protection
- Auto-logout timeout support
- Firmware / Software upgradable

Technical data:

Connections KVM	Graphic	8 /16 HDDB-15
	External (hub)	3 x USB 2.0 (Type-A)
	Power supply	1 x DC-12V
Connection cable (not included in the delivery)	PS2/USB / VGA/ COMBO	KAB-102-4 (1,8m), KAB-103-4 (3,0m), KAB-105-4 (5,0m)
	USB / VGA	KAB-102U-1 (1,8m)
Switch	LCD settings	4 Pressure switch
	ON / OFF	1 Pressure switch
	OFF (LCD folded)	1 Semi-covert pressure switch
LED-Display panel	Operation	1 x green
	Number	1 x green
	Capital letters	1 x green
	Scroll	1 x green
LED-Display KVM	Port/Switch	8 x 16 green (Port)
		8 x red (USB)
Emulation	Keyboard/ Mouse	USB / PS/2
	Display	Yes
Port selction	Push Button / Hotkey / OSD	
Graphic	19" LCD	1280 x 1024
	Colors	16,2 Mio.
	Frame Rate	H: 31,0 KHz. – 82,0 KHz. V: 60,0 KHz. – 75,0 KHz.
	Viewing angle	H: 140° / V: 130°
	Bandwith	140 Mhz.
	Brightness	300 cd/m ²
	Contrast	700 : 1
	Reaktion time	4 ms.
	Pixel pitch	0,264mm (H) x 0,264mm (V)
	Backlight	LED
Input values	100 V. – 240 V. AC, 48 Hz – 62 Hz	
Output values	DC 12V., 4,16A	
Power consumption	230 V / 16,8 Watts	
Certification	RoHS, RoHS2, CE	
Environment	Operating temperature	0 – 40°C
	Storage temperature	-20 – 60°C
	Humidity	0 – 80% relative humidity (non condensing)
Physical properties	Casing	High performance steel
	Color	RAL 9005
	Weight	12,9 kg incl. angles
	Dimension (L x W x H) without handle	64,00 x 43,6 x 4,4cm (19" / 1U)
	Dimension (L x W x H) with handle	68,20 x 43,6 x 4,4cm (19" / 1U)
Packaging	Weight	17,1 kg
	Dimension (L x W x H)	77,5 x 58 x 21 cm

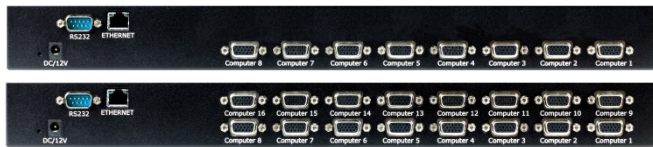
AW-1908TU-IP / AW-1916TU-IP



- 19" LCD Monitor with Backlight
- 8 / 16 Port USB / PS/2 KVM with IP module
- 3 Port USB 2.0 Hub
- Depth 640mm only



AW-1908TU-IP / AW-1916TU-IP is a 19" Monitor, Keyboard-Drawer with LED Backlight. a value keyboard with number block and touchpad .integrated 8 /16 Port USB/PS2 KVM with IP module and 3 Front USB connector complete the external design. The casing conforms the 1U Standard, easily installed and mountable with the included mounting kit.



Properties :

- 1U 19" LCD console , 640mm deep
- Stepless,adjustable angle from 0 to 105° over high quality and unique torque hinges
- Easy one man assembly with the provided angles
- 3 Front USB
- Integrated 8/16 port USB/PS2/KVM with IP module
- Adjustable depth from 600mm up to 1130mm tread depth
- Chromed metal handle
- Practical knurled screws
- High graphic resolution, up to 1280 x 1024 with 60Hz DDC, DDC2 und DDC2B
- Worldwide access through a integrated IP module

Keyboard versions :

Available in following versions : German (DE), US-English (US), French (FR), Spanish (SP), Italian (IT), und Russian (RU).

Versions available on request : UK-English (UK), Danisch (DK), Swiss(CH), Thai (TH), Turkish (TK), Japanese(JP), Chinese (CI), Belgian (BE), norwegian (NO), portuguese (PT), french/kanadian (CA) and Israeli /Hebrew (IS) ,Swedish Finnish (SW) ,

Trackball version is possible , in combination with a [Cherry G84-4400](#) Trackball Keyboard.

Specifications :

- 1 x IP module – many users can use a"Shared Session" for a access to the identical Session (IP-User -shared with the local user)
- 8 / 16 Port Tree-chainable Rackmount USB PS/2 KVM-Switch with OSD
- Easy setup and operation via web-Interface.
- DNS and authentication Settings (Local Authentication, LDAP or RADIUS)
- Almost the only KVM switch that reflects the monitor identifiers (DDC / EDID) and provide all ports permanently to the computers ,therefore the computer can be rebooted at any time with a correct and always displayed resolution
- Full-time DDC Support = Monitor-Emulation = each server is the permanent faked "original" to the KVM switch connected display and thus there are no problems with boats in background
- Tree-chainable zum for the next Level until 8 KVM-TU8 KVM-Switches
- Tree-chaining distance until 5 meter
- Port capacity ist scalable until 64/256 PCs overTree-chaining with TU-Models
- USB and PS/2 Interface support for both sides- console und PC side
- Computer choice over Push-Buttons, Keyboard-Hotkeys und OSD-Menu
- Support DOS, Windows 95/98/SE/2000/XP/Vista/Server 2003/Server 2008 und Windows 7, Windows 8, Windows 8.1, Linux, MacOS, and more
- Numeric LED-Status displays to a clearly display of the port status
- Perfect keyboard / mouse emulation for a safe function on all computers and operating systems
- Pro-Port Controller to keep the function of keyboard and mouse in case of error , if the KVM switch didn't receives a external power
- Advanced PS / 2 mouse reset hotkeys for non-PnP OS , WinNT 4.0 and Linux
- Buzzer sound confirm the hotkey and port circuit (de-activated)
- Autoscan dwell time of 5 ~ 95 seconds for OSD programmable
- Password protection Auto-Logout Timeout-Support
- Firmware/Software upgradable
- 1024-bit PKI Authentication & 256-bit SSL Encryption
- Support LDAP / RADIUS / Active Directory Server

Technical data:

Connections KVM	Graphic / Keyboard / Mouse	8 / 16 HDDB-15
	External (HUB)	3 x USB-2.0 Typ-A
Connection IP module	IP access	1 x RJ-45
	Serial	1 x RS232
	Power supply	1 x DC-12V
Connection cable (not included in the delivery)	USB / PS2/VGA combo	KAB-102-4 (1,8m), KAB-103-4 (3,0m) KAB-105-4(5,0m)
	USB / VGA	KAB-102U-1 (1,8m)
Switch	LCD settings	4 Pressure switch
	ON / OFF	1 Pressure switch
	OFF (LCD folded)	1 Semi-covert pressure switch
LED-Display panel	Operation	1 x green
	Number	1 x green
	Capital letters	1 x green
	Scroll	1 x green
LED-Display KVM	Port/Switch	8 / 16 x green (Port) 8 / 16 x red (USB)
Emulation	Keyboard/ Mouse	USB & PS/2
	Display	Yes
Port selction	Push Buttons / Hotkey / OSD	
Graphic	19" LCD	1280 x 1024
	Colors	16,2 Mio.
	Frame Rate	H: 31,0 KHz. – 82,0 KHz. V: 60,0 KHz. – 75,0 KHz.
	Viewing angle	H: 140° / V: 130°
	Bandwith	140 Mhz.
	Brightness	300 cd/m ²
	Contrast	700 : 1
	Reaktion time	4 ms.
	Pixel pitch	0,264mm (H) x 0,264mm (V)
	Backlight	LED
Input values	100 V. – 240 V. AC, 48 Hz – 62 Hz	
Output values	DC 12V., 4,16A	
Power consumption	230 V / 14,6 Watt	
Certification	RoHS, RoHS2, CE	
Environment	Operating temperature	0 – 40°C
	Storage temperature	-20 – 60°C
	Humidity	0 – 80% relative humidity (non condensing)
Physical properties	Casing	High performance steel
	Color	RAL 9005
	Weight	14,9 kg incl. angles
	Dimension (L x W x H) without handle	64,00 x 43,6 x 4,4cm (19" / 1U)
	Dimension (L x W x H) with handle	68,20x 43,6 x 4,4cm (19" / 1U)
Packaging	Weight	17,1 kg
	Dimension (L x W x H)	77,5 x 58 x 21 cm

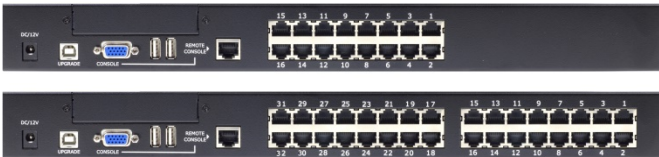
AW-1916K5 / AW-1932K5



- 19" LCD Monitor with LED Backlight
- 16 / 32 Port CAT.5 KVM
- Depth 640mm only



AW-1916 K5 / AW-1932 K5 is a 19" Monitor, Keyboard-Drawer with LED Backlight. a value keyboard with number block and touchpad integrated 16 /32 Port CAT.5KVM complete the external design. The casing conforms the 1U Standard, easily installed and mountable with the included mounting kit.



Specifications :

Properties :

- 1U 19" LCD console , 600mm deep
- Stepless,adjustable angle from 0 to 105° over high quality and unique torque hinges
- Easy one man assembly with the provided angles
- Integrated 16 /32 port CAT.5KVM
- Adjustable depth from 600 mm up to 1130 mm tread depth
- Chromed metal handle
- Practical knurled screws
- High graphic resolution, up to 1280 x 1024 with 60Hz DDC, DDC2 und DDC2B

Keyboard versions :

Available in following versions : German (DE), US-English (US), French (FR), Spanish (SP), Italian (IT), und Russian (RU).

Versions available on request : UK-English (UK), Danisch (DK), Swiss(CH), Thai (TH), Turkish (TK), Japanese(JP), Chinese (CI), Belgian (BE), norwegian (NO), portuguese (PT), french/kanadian (CA) and Israeli /Hebrew (IS) ,Swedish Finnish (SW) ,

Trackball version is possible , in combination with a [Cherry G84-4400](#) Trackball Keyboard.

- Tree-chainable for next Level up to 16 KVM-0116PMC Switches
- Tree-chaining distance up to 5 meter
- Port capacity is scalable up to 256 PCs through Tree-chaining with PMC Models
- Computer-Selection through Keyboard -Hotkeys and OSD-Menu
- On-Screen-Display und system notification as a Pop-Up
- Additional console port (competing)
- With an additional (optional) receiver PMC-300R can reflect the control panel and through 1: 1 Cat.x cable connection
- Support DOS, Windows 95/98/SE/2000/XP/Vista/Server 2003/Server 2008 und Windows 7 / 9, Linux, MacOS, etc.
- Numeric LED-Status displays to a clearly display of the port status Buzzer sound confirm the hotkey and port circuit (de-activated)
- Autoscan dwell time of 5 ~ 95 seconds for OSD programmable Password protection
- Auto-Logout Timeout-Support
- Firmware/Software upgradable
- Auto-Logout Timeout-Support



Technical data:

Connections KVM	Graphic / Keyboard / Mouse	16 x 32 x RJ-45
	Console(remote)	1 x RJ-45 for PMC-300R
	Console (local)	1 x VGA/2 x USB-A
	Firmware	1 x USB-B
	Power supply	1 x DC-12V
	Remote	1 x RJ-45
Connection cable / Dongle (not included in the delivery)	VGA & 2 x PS2	Dongle-PS/2 V3
	VGA & 1 x USB	Dongle-USB V3
Switch	LCD settings	4 Pressure switch
	ON / OFF	1 Pressure switch
	OFF (LCD folded)	1 Semi-covert pressure switch
LED-Display panel	Operation	1 x green
	Number	1 x green
	Capital letters	1 x green
	Scroll	1 x green
LED-Display KVM	Port/Switch	16 /32 green (Port)
Emulation	Keyboard/ Mouse	USB & PS/2
Graphic	19" LCD	1280 x 1024
	Colors	16,2 Mio.
	Frame Rate	H: 31,0 KHz. – 82,0 KHz. V: 60,0 KHz. – 75,0 KHz.
	Viewing angle	H: 140° / V: 130°
	Bandwith	140 Mhz.
	Brightness	300 cd/m ²
	Contrast	700 : 1
	Reaktion time	4 ms.
	Pixel pitch	0,264mm (H) x 0,264mm (V)
	Backlight	LED
Input values	100 V. – 240 V. AC, 48 Hz – 62 Hz	
Output values	DC 12V., 4,16A	
Power consumption	230 V / 14,6 Watt	
Certification	RoHS, RoHS2, CE	
Environment	Operating temperature	0 – 40°C
	Storage temperature	-20 – 60°C
	Humidity	0 – 80% relative humidity (non condensing)
Physical properties	Casing	High performance steel
	Color	RAL 9005
	Weight	14,9 kg incl. angles
	Dimension (L x W x H) without handle	64,00 x 43,6 x 4,4cm (19" / 1U)
	Dimension (L x W x H) with handle	68,20x 43,6 x 4,4cm (19" / 1U)
Packaging	Weight	17,1 kg
	Dimension (L x W x H)	77,5 x 58 x 21 cm

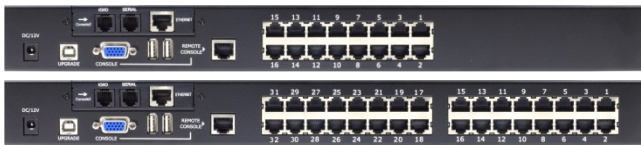
AW-1916IP / AW-1932IP



- 19" LCD Monitor with LED Backlight
- 16 / 32 Port CAT.5 KVM with IP Modul
- Depth 640mm only



AW-1916IP /AW-1932 IP is a 19" Monitor, Keyboard-Drawer with LED Backlight. a value keyboard with number block and touchpad .integrated 16 /32 Port CAT.5 KVM with IP module complete the external design. The casing conforms the 1U Standard, easily installed and mountable with the included mounting kit.



Two consoles and IP-Access, comfortable server management from different locations

Up to three user stations (1x locally, 1x "shared" on IP and 1 x "shared" with "optional" Receiver 1: 1 through CAT cable)

Selection of different administrations

All operating options show the identical image in "competing" service

Properties :

- 1U 19" LCD console , 640mm deep
- Stepless,adjustable angle from 0 to 105° over high quality and unique torque hinges
- Easy one man assembly with the provided angles
- Integrated 16 /32 Port CAT.5 KVM with IP module
- Adjustable depth from 600mm up to 1130 mm tread depth
- Chromed metal handle
- Practical knurled screws
- High graphic resolution, up to 1280 x 1024 with 60Hz DDC, DDC2 und DDC2B

Keyboard versions :

Available in following versions : German (DE), US-English (US), French (FR), Spanish (SP), Italian (IT), und Russian (RU).

Versions available on request : UK-English (UK), Danisch (DK), Swiss(CH), Thai (TH), Turkish (TK), Japanese(JP), Chinese (CI), Belgian (BE), norwegian (NO), portuguese (PT), french/kanadian (CA) and Israeli /Hebrew (IS) ,Swedish Finnish (SW) ,

Trackball version is possible , in combination with a [Cherry G84-4400](#) Trackball Keyboard.



Specifications :

- CAT x cabling for up to 30m distance connection
- Administration access from different locations
- Tree-chainable up to 16 PMC KVM-Switches as a slaves
- On-Screen-Display and system notifications as a Pop-Up
- Upgradable Firmware
- "Remote" User-Management with dedicated-assignment and visibility of the respective user assigned server (user groups). The IP Extender can work without ActiveX and even without Java extremely fast over a supplied Win32 client viewer software.
- Access via the platform-independent and fast Java viewer for all operating systems -
- "remote" in both viewers and the German "AltGr" and support also the special characters | @ € ~ ..etc
- The Viewer can be easily downloaded from the web interface
- Suitable for any PC / Server with PS / 2 and / or USB
- Port capacity is scalable up to 256 PCs through Tree-chaining with PMC models
- Computer selection through keyboard-Hotkeys and OSD-Menu
- additional console port (competing)
- With an additional (optional) Receiver PMC-300R can reflect the control panel and through a 1: 1 Cat.x cable connection
- Support DOS, Windows 95/98/SE/2000/XP/Vista/Server 2003/Server 2008 and Windows 7, Windows 8, Windows 8.1, Linux, MacOS, etc.
- Numeric LED-Status displays to a clearly display of the port status
- Buzzer sound confirm the hotkey and port circuit (de-activated)
- Autoscan dwell time of 5 ~ 95 seconds for OSD programmable
- Password protection
- Auto-Logout Timeout-Support

Technical data:

Connections KVM	Graphic / Keyboard / Mouse	16 / 32 x RJ-45
	Console(remote)	1 x RJ-45 for PMC-300R
	Console (local)	1 x VGA/2 x USB-A
	Firmware	1 x USB-B
	Power supply	1 x DC-12V
IP module	Remote	1 x RJ-45
	Serial	1 x RJ -11 (devices) 1 x RJ-11 (Hyper Terminal)
Connection cable / Dongle (not included in the delivery)	VGA & 2 x PS2	Dongle-PS/2 V3
	VGA & 1 x USB	Dongle-USB V3
Switch	LCD settings	4 Pressure switch
	ON / OFF	1 Pressure switch
	OFF (LCD folded)	1 Semi-covert pressure switch
LED-Display panel	Operation	1 x green
	Number	1 x green
	Capital letters	1 x green
	Scroll	1 x green
LED-Display KVM	Port/Switch	16 / 32 green (Port)
Emulation	Keyboard/ Mouse	USB & PS/2
	Display	Yes
Graphic	17" LCD	1280 x 1024
	Colors	16,2 Mio.
	Frame Rate	H: 31,0 KHz. – 81,0 KHz. V: 56,0 KHz. – 76,0 KHz.
	Viewing angle	H: 140° / V: 130°
	Bandwith	140 Mhz.
	Brightness	300 cd/m ²
	Contrast	700 : 1
	Reaktion time	4 ms.
	Pixel pitch	0,264mm (H) x 0,264mm (V)
	Backlight	LED
Input values	100 V. – 240 V. AC, 48 Hz – 62 Hz	
Output values	DC 12V., 4,16A	
Power consumption	230 V / 14,6 Watt	
Certification	RoHS, RoHS2, CE	
Environment	Operating temperature	0 – 40°C
	Storage temperature	-20 – 60°C
	Humidity	0 – 80% relative humidity (non condensing)
Physical properties	Casing	High performance steel
	Color	RAL 9005
	Weight	14,9 kg incl. angles
	Dimension (L x W x H) without handle	64,00 x 43,6 x 4,4cm (19" / 1U)
	Dimension (L x W x H) with handle	68,20x 43,6 x 4,4cm (19" / 1U)
Packaging	Weight	17,1 kg
	Dimension (L x W x H)	77,5 x 58 x 21 cm

AW-1901-DC



- 19" LCD monitor with LED Backlight
- DC Input 36 ~ 72 Volt
- 3 Port USB 2.0 Hub
- Depth 640mm only



AW-1901-DC is a 19" Monitor, Keyboard-Drawer with LED Backlight value keyboard with a number block, touchpad and 3 front USB complete the external design. The casing conforms the 1U Standard, easily installed and mountable with the included mounting kit.

Specifications :

- Practical DB-15 connector, combined with our cable KAB-102-4 (1 x VGA 2 x PS/2 and 1 x USB)
- Compatible with most PS / 2 KVM and USB KVM switches
- Integrated front 3-port USB2.0 hub devices for sharing of USB2.0 and USB1.1 devices (to use another mouse, scanners, printers, cameras, USB storage devices, ...)
- OSD Menu in the following languages adjustable German, English Spanish, Italian, French, Portuguese, Korean, Cyrillic, Japanese, trad. Chinese, mod. Chinese
- Support friendly external power supply
- Support DOS, Windows 95/98/SE/2000/XP/Vista/Server 2003/Server 2008 and Windows 7, Windows 8, Windows 8.1, Linux, MacOS, etc.
- Perfect keyboard / mouse emulation for safe function on all computers and operating systems

Properties :

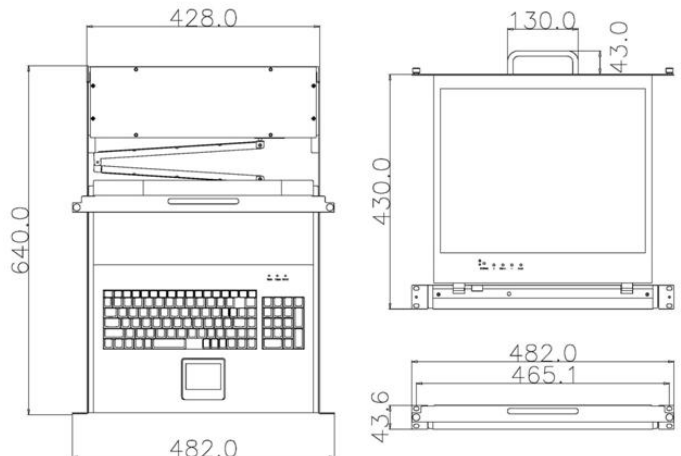
- 1U 19" LCD console, 640mm deep
- Stepless, adjustable angle from 0 to 105° over high quality and unique torque hinges
- Easy one man assembly with the provided angles
- 3 front USB
- Adjustable depth from 600 mm up to 1130 mm tread depth
- Chromed metal handle
- Practical knurled screws
- High graphic resolution, up to 1280 x 1024 with 60Hz DDC, DDC2 und DDC2B

Keyboard versions :

Available in following versions: German (DE), US-English (US), French (FR), Spanish (SP), Italian (IT), Swiss (CH), Swedish Finnish (SW) und Russian (RU).

Versions available on request: UK-English (UK), Danisch (DK), Thai (TH), Turkish (TK), Japanese (JP), Chinese (CI), Belgian (BE), norwegian (NO), portuguese (PT), french/kanadian (CA) and Israeli /Hebrew (IS).

Trackball version is possible, in combination with a Cherry G84-4400 Trackball keyboard.



Technical data:

Connections KVM	Graphic / Keyboard / Mouse	1 x HDDB-15
	USB HUB	1 x USB 2.0 Typ-A
	External (Front-HUB)	3 x USB 2.0 Typ-A
	Power supply	DC 36 ~ 72 Volt
Connection cable (included)	USB / PS/2 / VGA Combo	KAB-102-4 (1,8m)
Optional Connection cable	USB / PS/2 / VGA Combo	KAB-103-4 (3,0m), KAB-105-4 (5,0m)
Switch	LCD settings	4 Pressure switch
	ON / OFF	1 Pressure switch
	OFF (LCD folded)	1 Semi-covert pressure switch
LED-Display panel	Operation	1 x green
	Number	1 x green
	Capital letters	1 x green
	Scroll	1 x green
Emulation	Keyboard/ Mouse	USB & PS/2
	Display	Yes
Graphic	19" LCD	1280 x 1024
	Colors	16,2 Mio.
	Frame Rate	H: 31,0 KHz. – 82,0 KHz. V: 60,0 KHz. – 75,0 KHz.
	Viewing angle	H: 140° / V: 130°
	Bandwith	140 Mhz.
	Brightness	300 cd/m ²
	Contrast	700 : 1
	Reaktion time	4 ms.
	Pixel pitch	0,264mm (H) x 0,264mm (V)
	Backlight	LED
Input values	DC 36 ~ 72 Volt	
Output values	DC 12V., 4,16A	
Power consumption	19,6 Watt	
Certification	RoHS, RoHS2, CE	
Environment	Operating temperature	0 – 40°C
	Storage temperature	-20 – 60°C
	Humidity	0 – 80% relative humidity (non condensing)
Physical properties	Casing	High performance steel
	Color	RAL 9005
	Weight	12,9 kg incl. angles
	Dimension (L x W x H) without handle	64,00 x 43,6 x 4,4cm (19" / 1U)
	Dimension (L x W x H) with handle	67,80x 43,6 x 4,4cm (19" / 1U)
Packaging	Weight	17,1 kg
	Dimension (L x W x H)	77,5 x 58 x 21 cm

KB-100



- Easy installation
- Compact and ergonomically
- Using worldwide possible because of standard USB Connector



- 1U Drawercase 430mm deep
- RoHS conform
- Front panel lockable

Features:

- Various mounting slides for any 1U (19") Rack
- Integrated Telescope-Rails
- Using worldwide possible because of standard USB Connector
- Front panel lockable

Keyboard versions :

Available in following versions : German (DE), US-English (US), French (FR), Spanish (SP), Italian (IT), und Russian (RU).

Versions available on request : UK-English (UK), Danisch (DK), Swiss(CH), Thai (TH), Turkish (TK), Japanese(JP), Chinese (CI), Belgian (BE), norwegian (NO), portuguese (PT), french/kanadian (CA) and Israeli /Hebrew (IS) ,Swedish Finnish (SW) ,

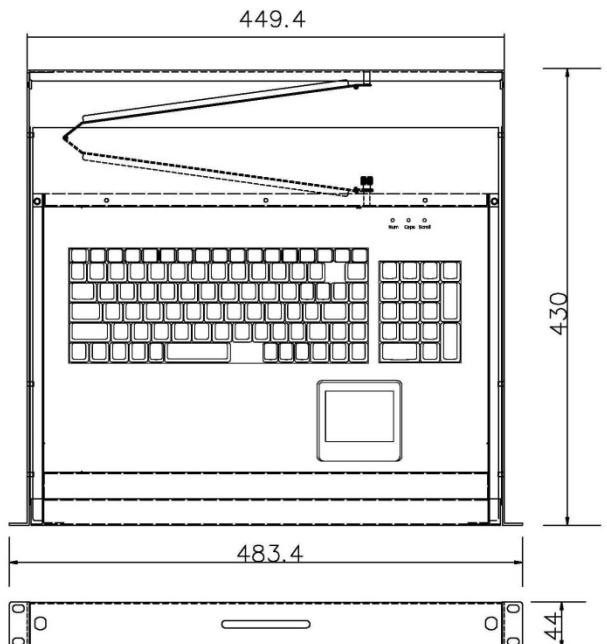
Trackball version is possible , in combination with a [Cherry G84-4400](#) Trackballt keyboard.



Spezifikation:

Casing:

- RoHS2, CE conform
- Heavy-duty Steel
- Case color RAL 9005 / other colors on request
- 106 Key Windows PS/2 / USB Keyboard with Touchpad
- Connection: 1 x USB-Typ A (Mouse and Keyboard)



DP-119



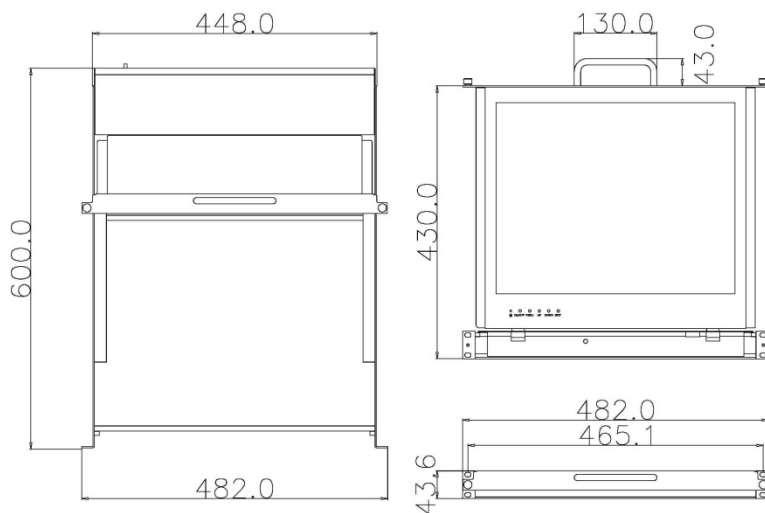
- 19" LCD monitor with LED Backlight
- Easy one man Installation
- External Power Supply
- Depth 600mm only

Specifications :

- VGA and DVI Connector
- OSD Menu in the following languages adjustable German, English, Spanish, Italian, French, Portuguese, Korean, Cyrillic, Japanese, trad. Chinese, mod. Chinese
- Support friendly external power supply
- Support DOS, Windows 95/98/SE/2000/XP/Vista/Server 2003/Server 2008 and Windows 7 / 9, Linux, MacOS, etc.

Properties :

- 1U 19" LCD console, 600mm deep
- Stepless, adjustable angle from 0 to 105° over high quality and unique torque hinges
- Easy one man assembly with the provided angles
- Adjustable depth from 540 mm up to 1090 mm tread depth
- Chromed metal handle
- Practical knurled screws
- High graphic resolution, up to 1280 x 1024 with 60Hz DDC, DDC2 und DDC2B



Technical data:

Connections	Graphic	1 x HDDB-15 / VGA 1 x DVI-I
	USB HUB	1 x USB 2.0 Typ-A (only in use for DP-119TS)
	Power supply	1 x DC-12V
Connection cable (included)	VGA	1,8m VGA Cable
	DVI	1,8m DVI-D Cabel
Switch	LCD settings	4 Pressure switch
	ON / OFF	1 Pressure switch
	OFF (LCD folded)	1 Semi-covert pressure switch
LED-Display panel	Operation	1 x green
Graphic	19" LCD	1280 x 1024
	Colors	16,2 Mio.
	Frame Rate	H: 31,0 KHz. – 82,0 KHz. V: 60,0 KHz. – 75,0 KHz.
	Viewing angle	H: 140° / V: 130°
	Bandwith	140 Mhz.
	Brightness	300 cd/m ²
	Contrast	700 : 1
	Reaktion time	4 ms.
	Pixel pitch	0,264mm (H) x 0,264mm (V)
	Backlight	LED
Input values	100 V. – 240 V. AC, 48 Hz – 62 Hz	
Output values	DC 12V., 4,16A	
Power consumption	230 V / 19,6 Watt	
Certification	RoHS, RoHS2, CE	
Environment	Operating temperature	0 – 40°C
	Storage temperature	-20 – 60°C
	Humidity	0 – 80% relative humidity (non condensing)
Physical properties	Casing	High performance steel
	Color	RAL 9005
	Weight	12,9 kg incl. angles
	Dimension (L x W x H) without handle	60,00 x 43,6 x 4,4cm (19" / 1U)
	Dimension (L x W x H) with handle	63,80x 43,6 x 4,4cm (19" / 1U)
Packaging	Weight	17,1 kg
	Dimension (L x W x H)	77,5 x 58 x 21 cm

DP-119TS



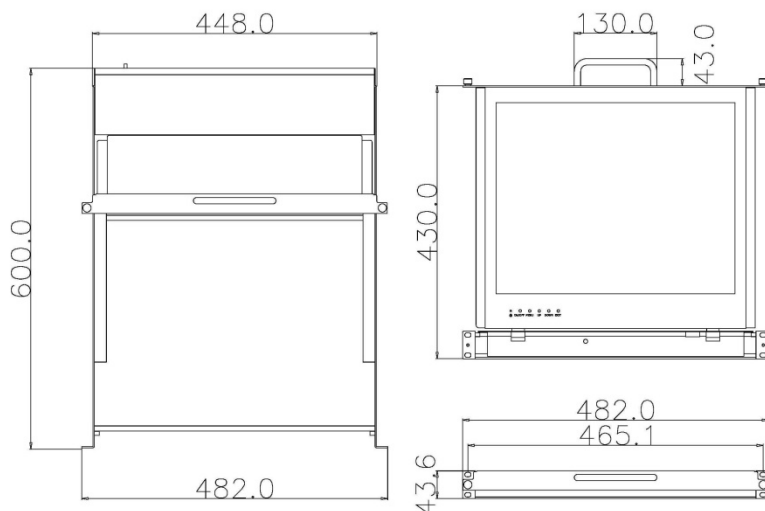
- 19" LCD monitor with LED Backlight
- Resistive Touchscreen
- Easy one man Installation
- External Power Supply
- Depth 600mm only

Specifications :

- VGA and DVI Connector
- USB Connector for Touchscreen
- OSD Menu in the following languages adjustable German, English, Spanish, Italian, French, Portuguese, Korean, Cyrillic, Japanese, trad. Chinese, mod. Chinese
- Support friendly external power supply
- Support DOS, Windows 95/98/SE/2000/XP/Vista/Server 2003/Server 2008 and Windows 7 / 9, Linux, MacOS, etc.

Properties :

- 1U 19" LCD console, 600mm deep
- Stepless, adjustable angle from 0 to 105° over high quality and unique torque hinges
- Easy one man assembly with the provided angles
- Adjustable depth from 540 mm up to 1090 mm tread depth
- Chromed metal handle
- Practical knurled screws
- High graphic resolution, up to 1280 x 1024 with 60Hz DDC, DDC2 und DDC2B



Technical data

Please see DP-119

Technical data for Touchscreen

PC Port	1
Interface	USB
Touch Screen	5-Wire analog resistive type
Communications	Full-speed, 12Mbps
Touch Screen Controller	PM 6000 controller IC
Maximum Resolution	2048 x 2048
Cursor accuracy	< 1% (Active Area Diagonal of touch screen with PM Advanced calibration utility support)
Resistance Range	50~1.3K ohm
Diagnostic	LED on board
Operating Voltage	+5V DC
Electro Static Discharge (ESD)	Air Discharge 15KV , Contact Discharge 8KV
Operation Temperature	- 4 ~ 158°F (- 20 ~ 70°C)
Storage Temperature	- 40 ~ 185°F (- 40 ~ 85°C)
Power Consumption	Active Mode : 21.5 mA
	VCC=+5V, Top sheet Panel Resistance: 365 ohm ; Bottom sheet Panel Resistance: 660 ohm (Note. Actual current will be different by touch panel's resistance.)
A/C Input	100. ~ 240V , 50~60Hz

Supply for consoles with KVM Switch



KAB-102-4 (VGA/Keyboard/Mouse 4 in 1 cable for Combo KVM-Switch, **length=1,8m**)

KAB-103-4 (VGA/Keyboard/Mouse 4 in 1 cable for Combo KVM-Switch, **length=3.0m**)

KAB-105-4 (VGA/Keyboard/Mouse 4 in 1 cable for Combo KVM-Switch, **length=5.0m**)



DONGLE-PS2-V3

For All K5 KVM-116CA , 1xVGA und 2xPS2



KAB-102U-1

VGA / Keyboard / Mouse 3 in 1 cable for Combo KVM-Switch, length = 1,8m



DONGLE-USB-V3

For All K5 KVM-116CA , 1xVGA und 1xUSB



KAB-102-DVI

DVI/USB (A/B) cable for AW-1708HD-DVI, length=1.8m



SUMMARY & DESCRIPTION

Item	Description
	19" LCD/Keyboard console with/without KVM Switch
	AW-Version
AW-1701HD	1U 17" 1080p HD+K/B+Mouse console drawer, 1 Port, D=640mm
AW-1708HD-DVI	1U 17" 1080p HD+K/B+Mouse console drawer, DVI+USB 8 Port, D=640mm
AW-1708HD	1U 17" 1080p HD+K/B+Mouse console drawer, Combo 8 Port, D=640mm
AW-1901DC	19" LCD console w. 3 x USB Hub and 36~72 VDC Input, D=640mm
AW-1901	1U 19"LCD+K/B+Mouse console drawer 1 Port, D=640mm
AW-1901DVI	1U 19"LCD+K/B+Mouse console drawer, DVI+VGA+USB, D=640mm
AW-1908DVI	1U like AW-1901 but with DVI+USB 8 Port, D=640mm
AW-1908TU	1U like AW-1901 but with Combo 8 Port, D=640mm
AW-1908TUIP	1U like AW-1901 but with Combo 8 Port+IP, D=640mm
AW-1916TU	1U like AW-1901 but with Combo 16 Port, D=640mm
AW-1916TUIP	1U like AW-1901 but with Combo 16 Port+IP, D=640mm
AW-1916K5	1U like AW-1901 but with 16 Port Cat.5, D=640mm
AW-1916IP	1U like AW-1901 but with 16 Port Cat.5 IP-KVM, D=640mm
AW-1932K5	1U like AW-1901 but with 32 Port Cat.5, D=640mm
AW-1932IP	1U like AW-1901 but with 32 Port Cat.5 IP-KVM, D=640mm
AW-1901DC	19" LCD console w. 3 x USB Hub and 36~72 VDC Input, D=640mm
	EM-Version
EM-3017RM	1U 17"LCD+K/B+Mouse console drawer, 1 Port, D=560mm
EM-3017DVI	1U 17"LCD+K/B+Mouse console drawer, DVI+VGA+USB, D=560mm
EM-817DVI	1U like EM-3017RM but with DVI+USB 8 Port, D=560mm
EM-817TU	1U like EM-3017RM but with Combo 8 Port, D=560mm
EM-817TUIP	1U like EM-3017RM but with Combo 8 Port+IP, D=580mm
EM-1617TU	1U like EM-3017RM but with Combo 16 Port, D=560mm
EM-1617TUIP	1U like EM-3017RM but with Combo 16 Port+IP, D=580mm
EM-1617K5	1U like EM-3017RM but with Cat.5 16 Port, D=560mm
EM-1617IP	1U like EM-3017RM but with Cat.5 16 Port+IP, D=580mm
	Korat-Version
KORAT-1701	1U 17"LCD+K/B+Mouse console Dual-Rail drawer with USB Hub, D=590mm
KORAT-1701DVI	1U 17"LCD+K/B+Mouse console Dual-Rail drawer DVI+VGA+USB, D=590mm
KORAT-1708DVI	1U 17"LCD+K/B+Mouse console Dual-Rail drawer DVI+USB 8 Port, D=590mm
KORAT-1708TU	1U 17"LCD+K/B+Mouse console Dual-Rail drawer, Combo 8 Port, D=590mm
KORAT-1708TUIP	1U 17"LCD+K/B+Mouse console Dual-Rail, Combo 8 Port+IP, D=630mm
KORAT-1716TU	1U 17"LCD+K/B+Mouse console Dual-Rail, Combo 16 Port, D=590mm
KORAT-1716TUIP	1U 17"LCD+K/B+Mouse console Dual-Rail, Combo 16 Port+IP, D=630mm
KORAT-1716K5	1U like Korat-1701 console Dual-Rail with 16 Port Cat.5 KVM, D=590mm
KORAT-1716IP	1U like Korat-1701 Dual-Rail with 16 Port Cat.5+IP KVM, D=630mm
	19" Keyboard/Monitor drawer
KB-100B/W	1HE Keyboard with block number /Touchpad drawer; D=450mm
KB-117E	1U 17"LCD+K/B+Mouse drawer 500~800mm Rack, D=430mm
DP-119	1HE 19"LCD-Display drawer with telescop-rail
DP-119TS	1HE 19"LCD Touch-Screen drawer with a telescop-rail
	Supply for consoles with KVM Switch
Dongle-PS2 V3	For All K5 KVM-116CA, 1xVGA und 2xPS2
Dongle-USB V3	For All K5 KVM-116CA, 1xVGA und 1xUSB
KAB-102DVI	DVI/USB (A/B) cable for AW-1708HD-DVI, length=1.8m
KAB-102-4	VGA/Keyboard/Mouse 4 in 1 cable for Combo KVM-Switch, length=1,8m
KAB-103-4	VGA/Keyboard/Mouse 4 in 1 cable for Combo KVM-Switch, length=3,0m
KAB-105-4	VGA/Keyboard/Mouse 4 in 1 cable for Combo KVM-Switch, length=5,0m
KAB-102U-1	VGA/Keyboard/mouse 3 in 1 cable for Combo KVM-Switch, length=1,8M

